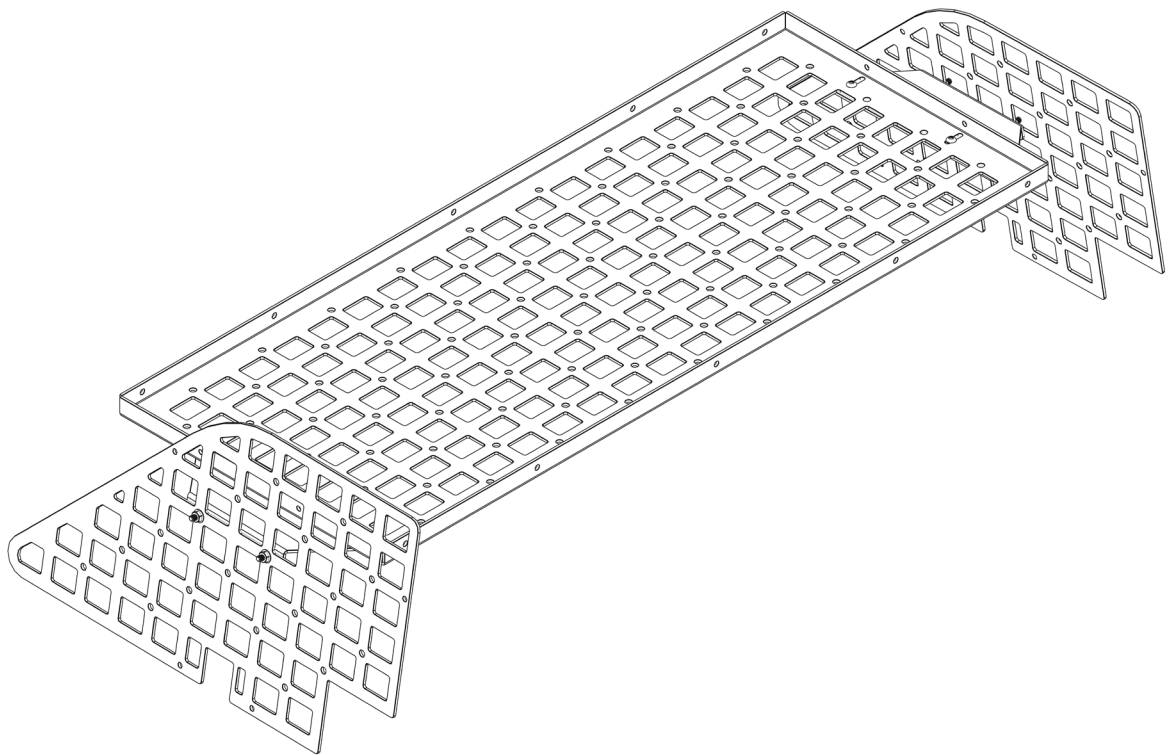




# 4 DOOR 6TH GEN BRONCO UPPER SHELF

## INSTALL INSTRUCTIONS



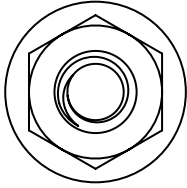
**Please read the mounting instructions below carefully before attempting to install.**

**Be sure to check out the install video on the product page, if available.**

Thank you for purchasing from JcROffroad! Checkout our website, [www.jcroffroad.com](http://www.jcroffroad.com) for other great off-road products. Be sure to rate and review our product online. If you have any questions or are missing parts, please don't hesitate to call us at 269-353-1184!

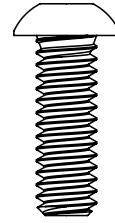
# INCLUDED HARDWARE

8x



1/4"-20  
Serr. Flange Nut

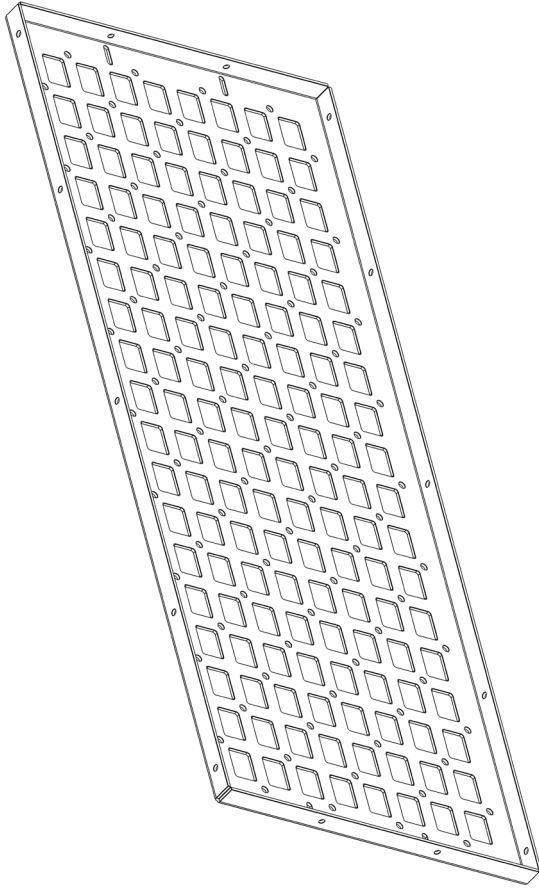
8x



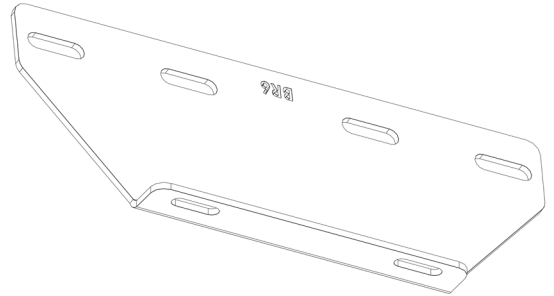
1/4"-20 X 3/4"  
Button Head

# INCLUDED PARTS

1x

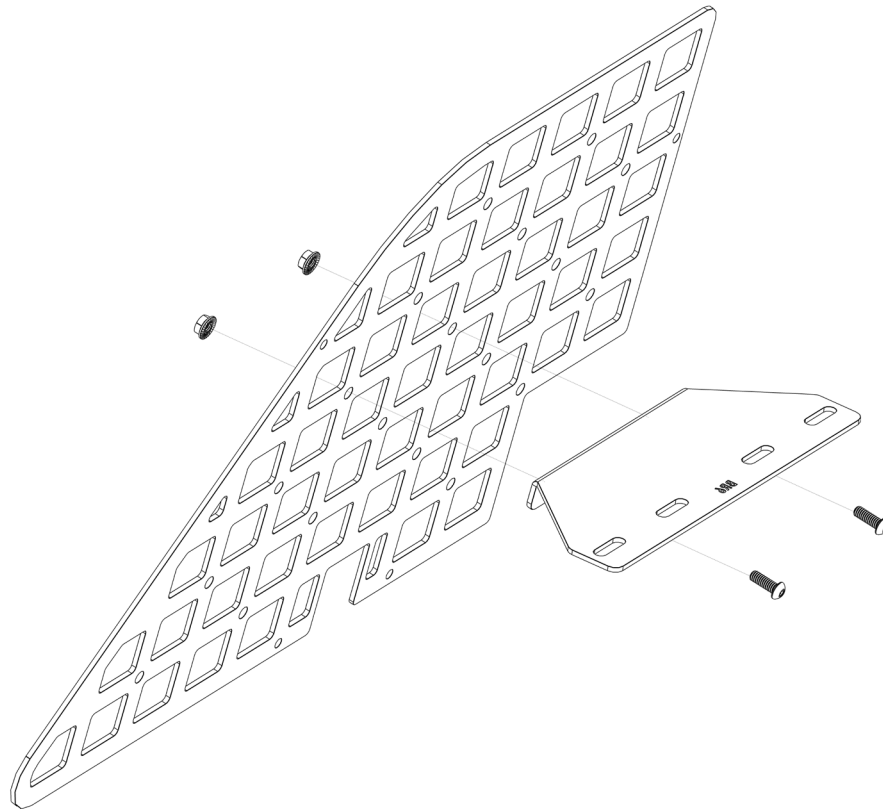


2x



# INSTALLATION

- 1** Start by loosely installing the mounts onto the Rear Window MOLLE Panels. To do so, line the bracket holes with the third set down of MOLLE panel holes and insert (2) 1/4"-20 button heads through the bracket and hand tighten 1/4"-20 flange nuts through the back side of the window MOLLE on both sides.



# INSTALLATION

- 2 Next, place the Upper Shelf on top of the brackets and loosely bolt it in using (2) 1/4"-20 X 3/4" button head bolts and 1/4"-20 serr. flange nuts per side. Once it is loosely installed, adjust the position of the basket until it is where you want it. Then, finish by tightening everything fully into place.

