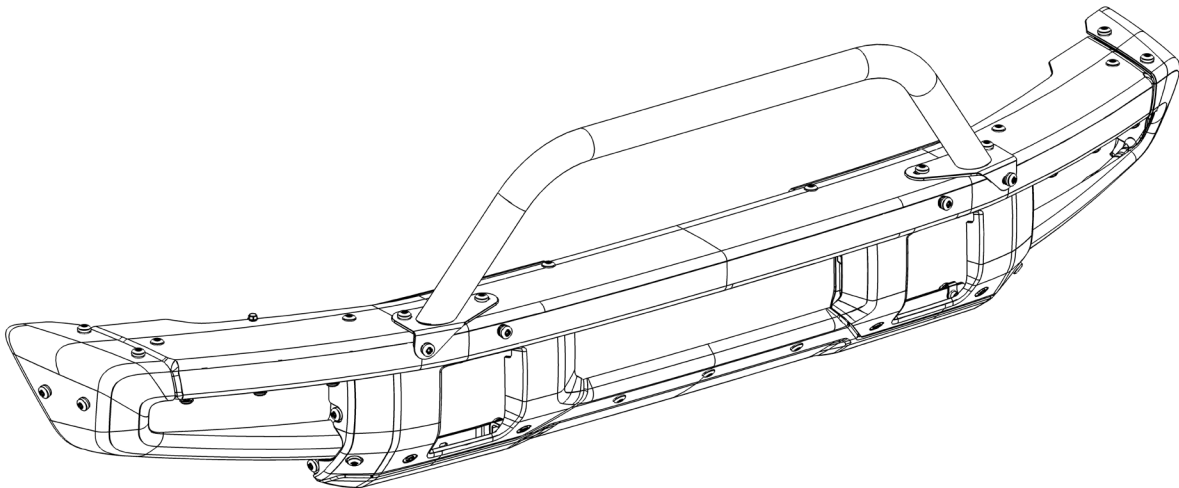




6TH GEN BRONCO BAJA BOLT-ON HOOP INSTALL INSTRUCTIONS



Please read the mounting instructions below carefully before attempting to install.

Be sure to check out the install video on the product page, if available.

Thank you for purchasing from JcROffroad! Checkout our website, www.jcroffroad.com for other great off-road products. Be sure to rate and review our product online. If you have any questions or are missing parts, please don't hesitate to call us at 269-353-1184!

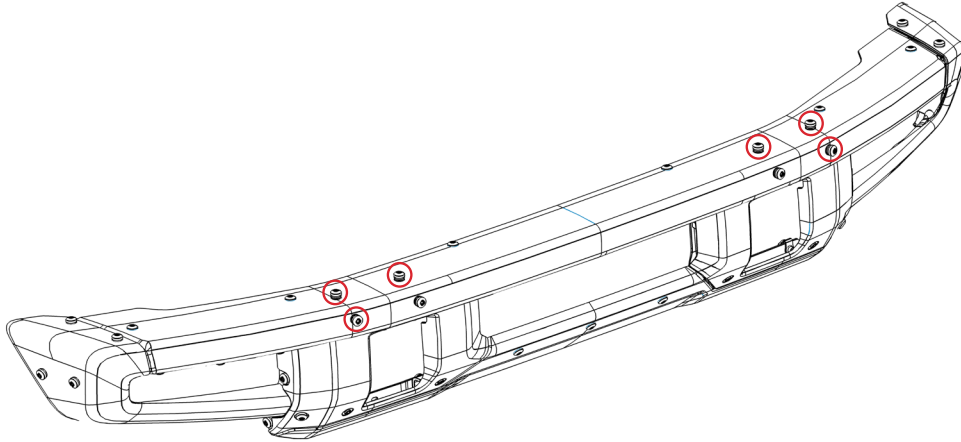
INCLUDED PARTS

1x



ASSEMBLY

- 1 Start by removing the six bolts circled below.



- 2 Once those are out of the way, place the tube onto the bumper and install it into the holes you just cleared using the factory bolts.

