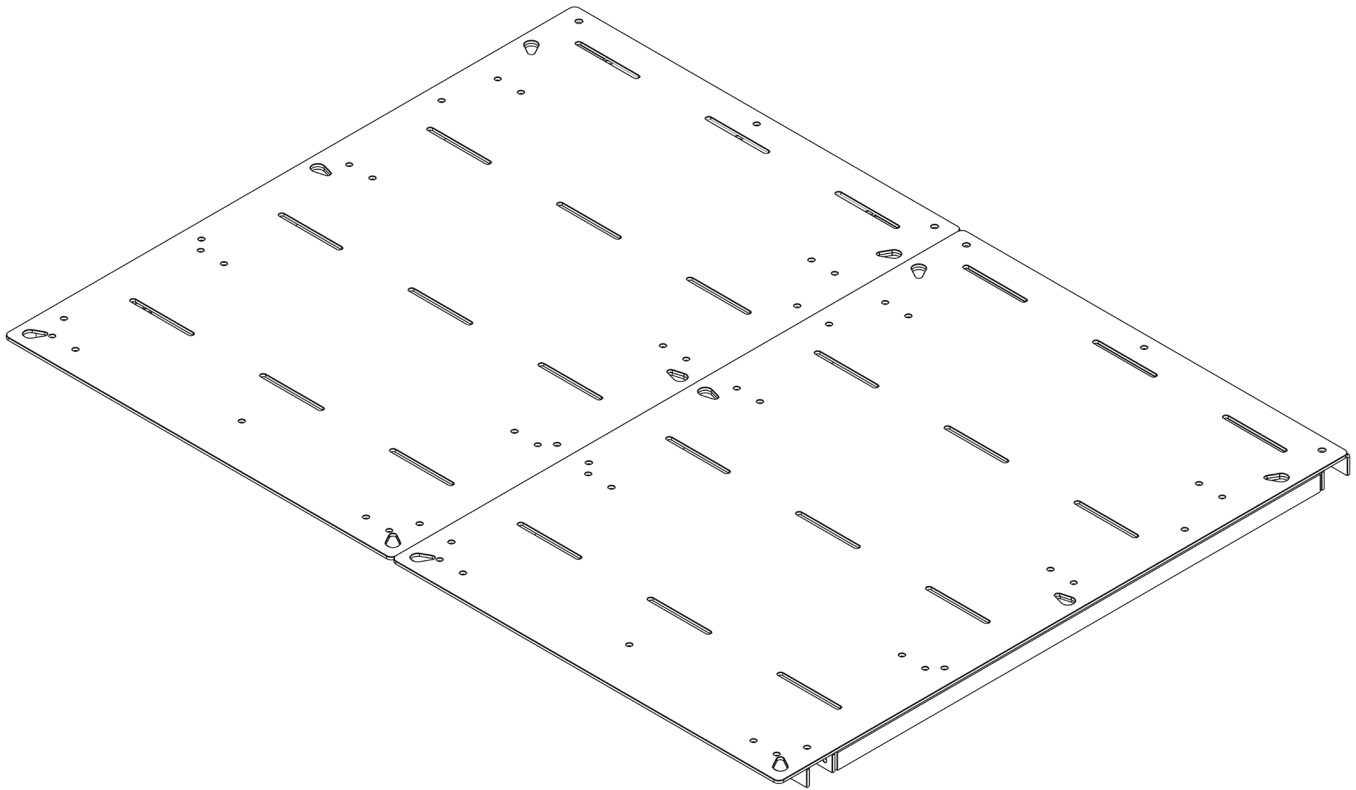




4 DOOR 6TH GEN BRONCO OFF-GRID FLOOR SYSTEM

INSTALL INSTRUCTIONS



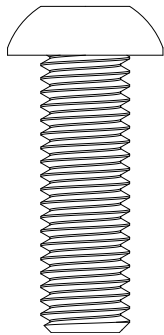
Please read the mounting instructions below carefully before attempting to install.

Be sure to check out the install video on the product page, if available.

Thank you for purchasing from Victory 4x4! Checkout our website, jcroffroad.com for other great off-road products. Be sure to rate and review our product online. If you have any questions or are missing parts, please don't hesitate to call us at 269-353-1184!

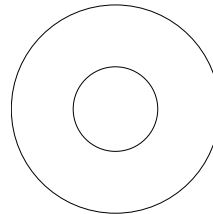
INCLUDED HARDWARE

48x



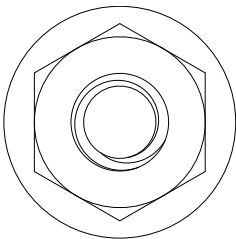
1/4"-20 x 1/2"
Button Head

50x



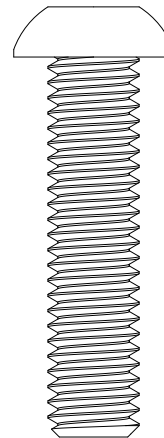
1/4" Black
Washer

22x



1/4" Flange Nuts

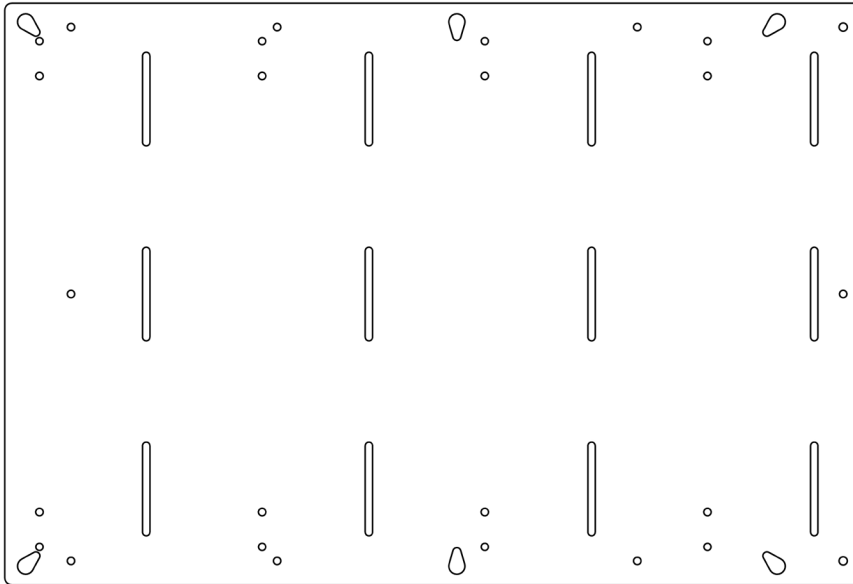
2x



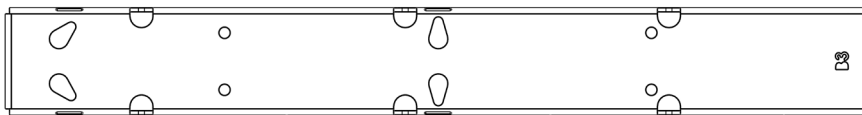
6mm x 25mm
Button Head

INCLUDED PARTS

2x



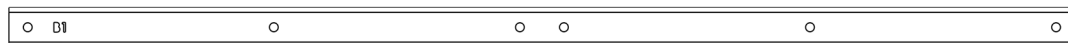
1x



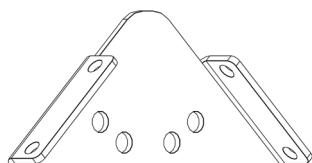
2x



2x

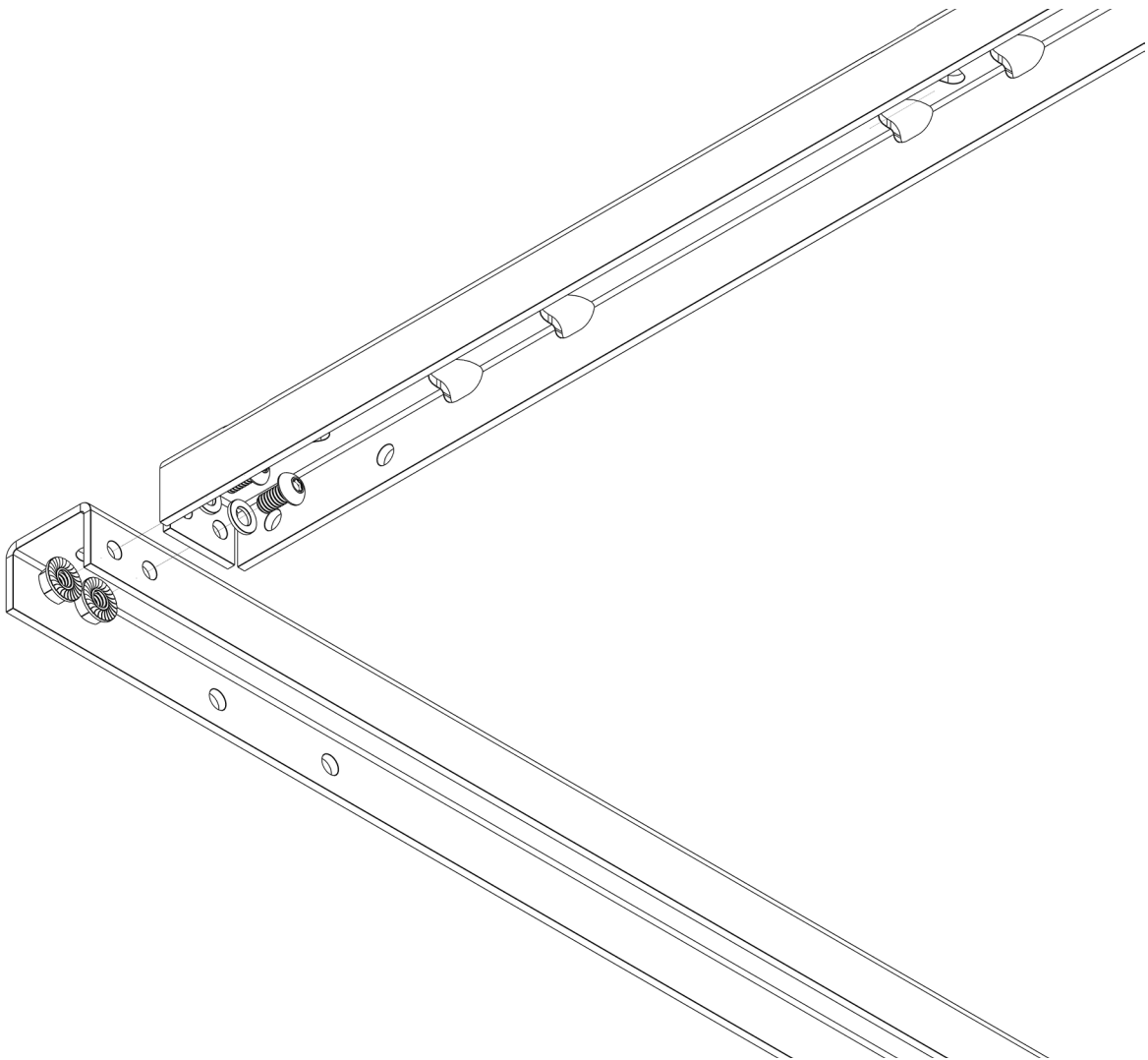


4x



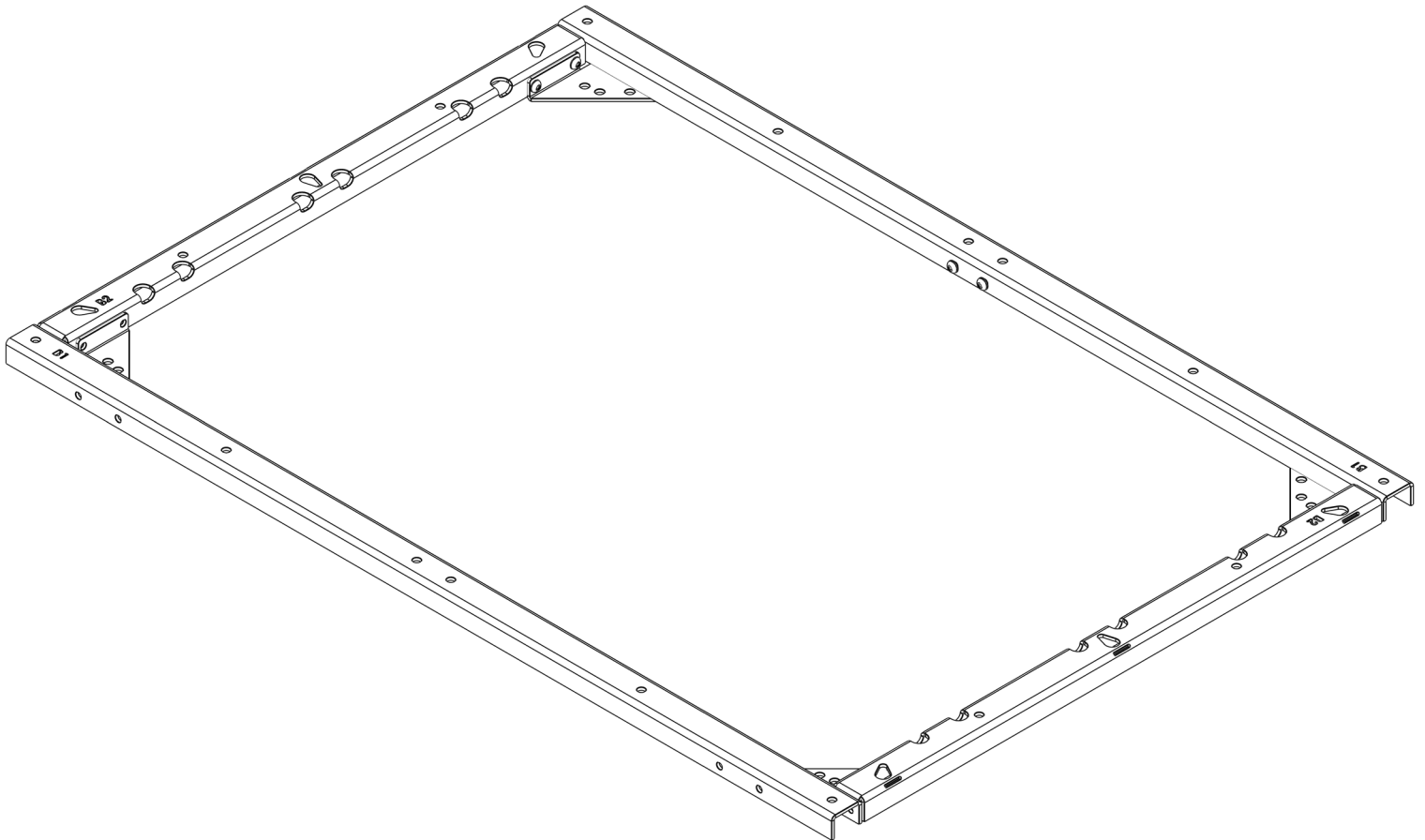
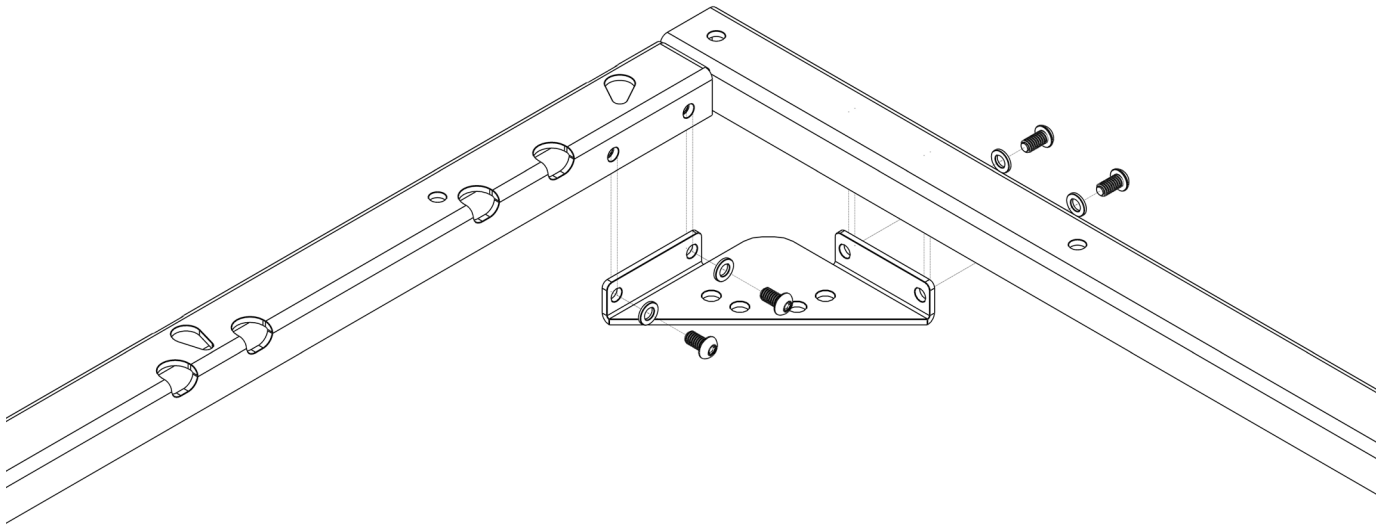
ASSEMBLY

1. Start by assembling the (2) provided side brackets to the (2) front bracket using the 1/4" bolts, washers and flange nuts. Be sure to assemble in the correct orientation as shown below, with the cut outs in the side brackets pointing toward the middle. Be sure to do this process on both sides and ends.



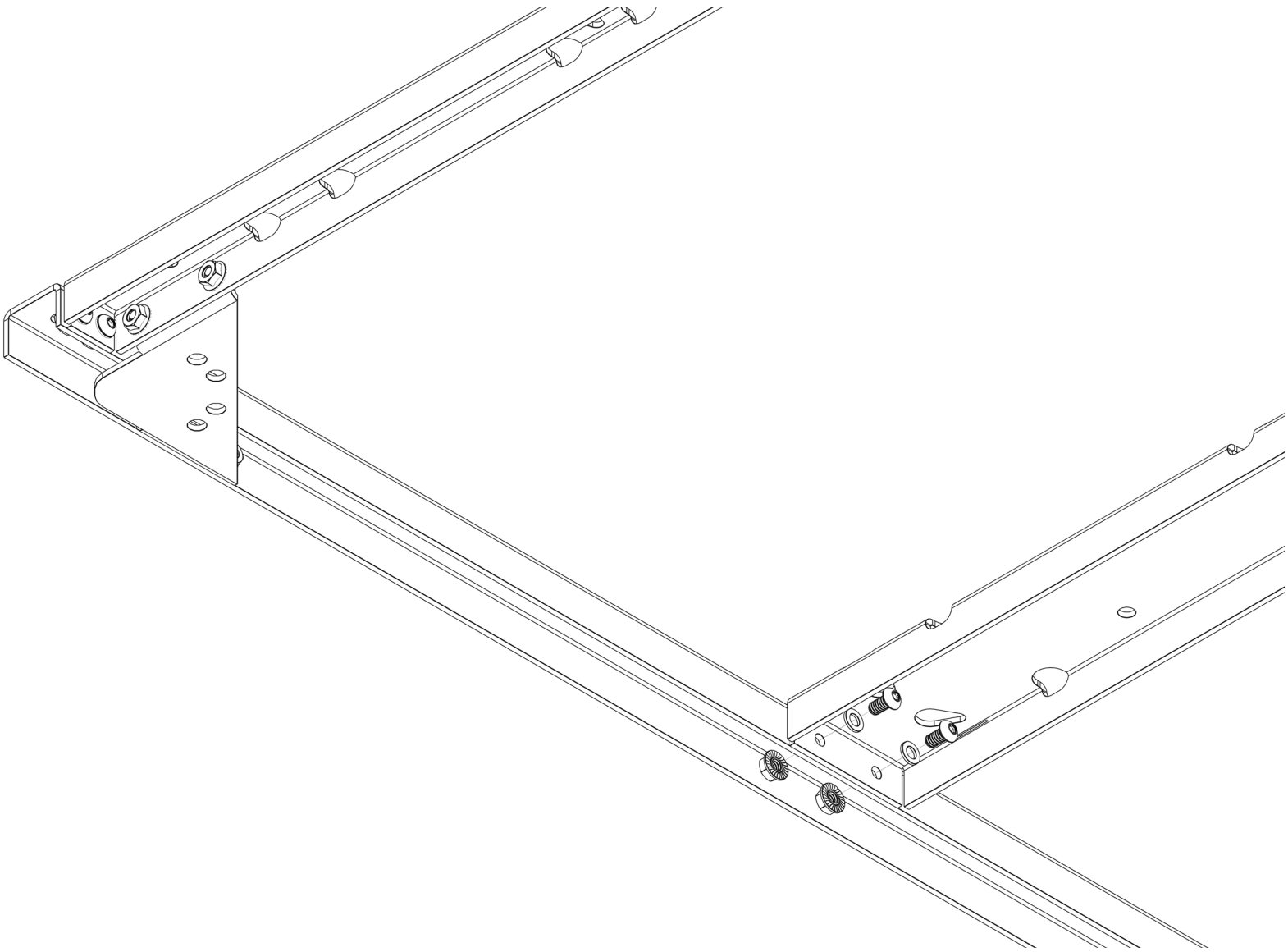
ASSEMBLY

2. Once the (2) side brackets are assembled and tight to the front, you're going to install the (4) provided corner support brackets. These install using the provided 1/4" button heads, washers and flange nuts. Be sure to assemble in the correct orientation as shown below, with the back flange going on the inside of the front bracket and the inside flange on the outside of the side brackets.

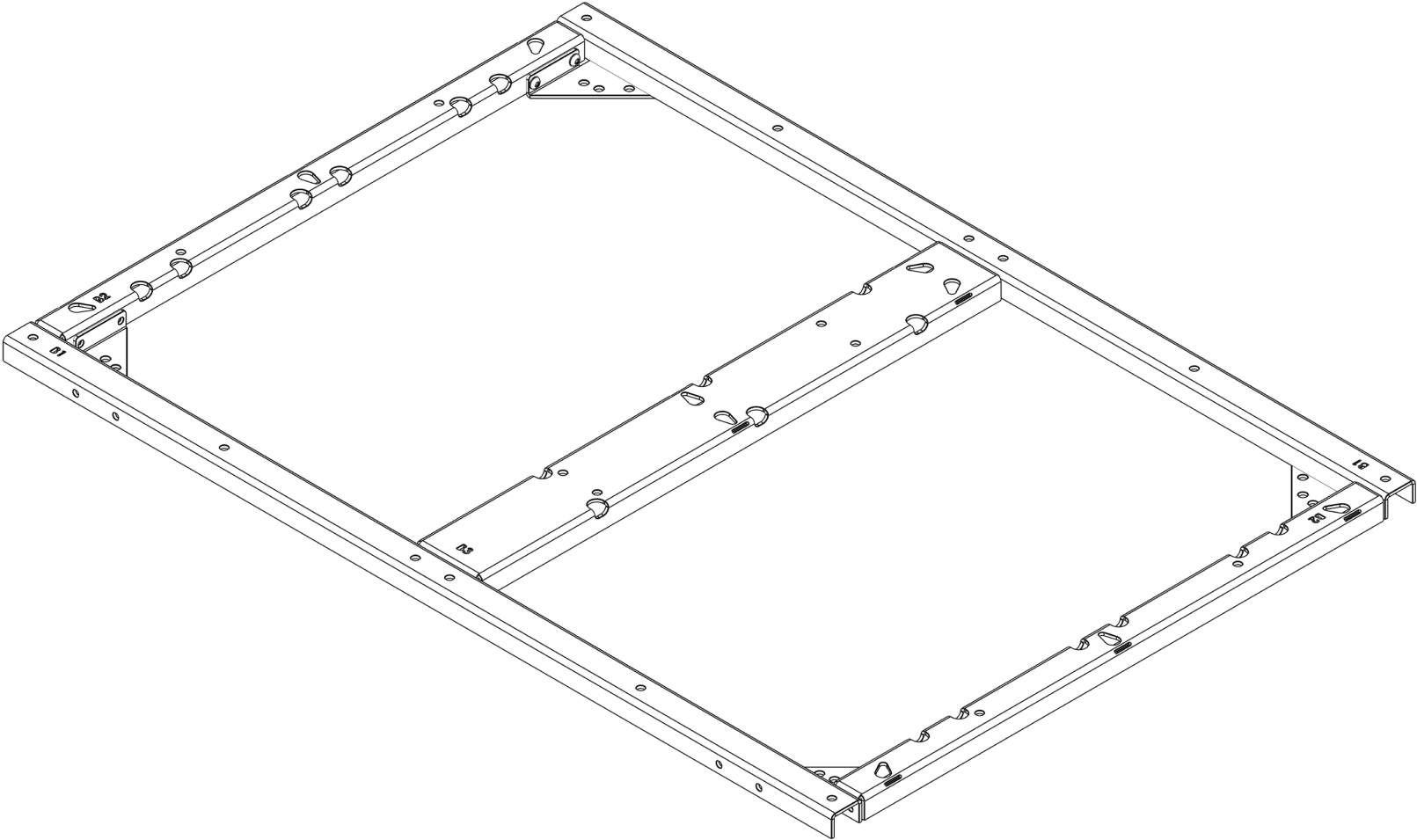


ASSEMBLY

3. With the (4) outside brackets assembled and tight with the corner supports, you can install the provided middle bracket using the 1/4" button heads, washers and flange nuts. This will install pretty much the same as the side brackets to the front and back brackets. Be sure to install in the orientation below with those teardrop cut outs at the top pointing out and down toward the middle. Be sure to do this on both ends of the bracket.



ASSEMBLY



ASSEMBLY

4. Now that the frame of the floor is assembled and tight, you now need to do some disassembly on the inside of your Bronco. There will be (4) plastic covers over each of the factory tie down hooks that will need to be removed. Once all (4) covers are removed, you will need a 10mm socket to remove the (2) bolts holding each of the hooks down. Once all of the bolts are removed, you can then simply remove all (4) hook assemblies. Once the hooks are out of the way you can remove the floor as a whole.



ASSEMBLY

5. With the factory floor now out of the way, you can grab the frame you assembled and place it in the back of the Bronco. Be sure to make sure that the teardrop cut outs in the middle bracket are away from you, going in toward the front of the vehicle. You may have to insert the frame at an angle to get it to fit into the back. Once it is in the vehicle, lay it flat and push forward and down and it should kind of snap into place between the plastics.



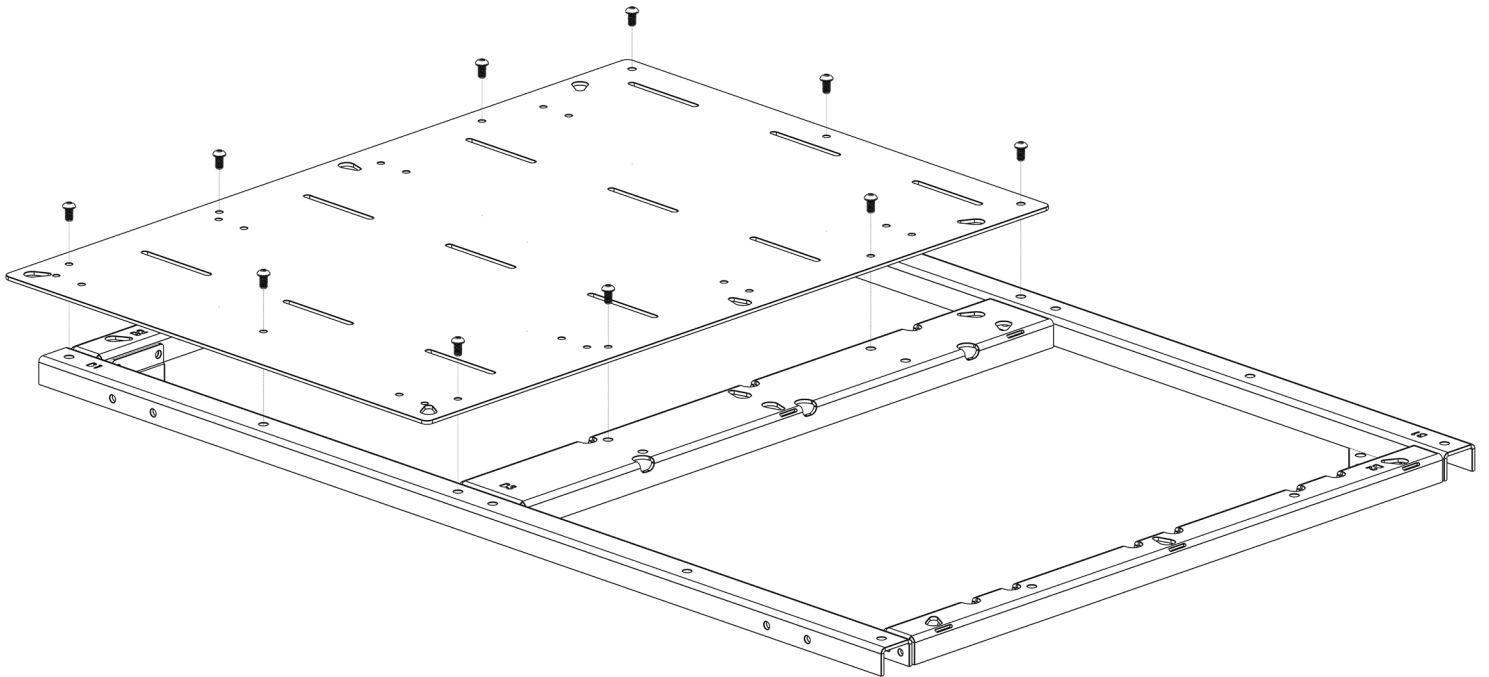
ASSEMBLY

6. Now that the frame is in place, take the factory bolts that were removed to hold down the factory hooks and use them in the same locations to secure the frame to the floor. Using a 10mm socket secure the bolts through the corner support brackets into the factory threaded holes.



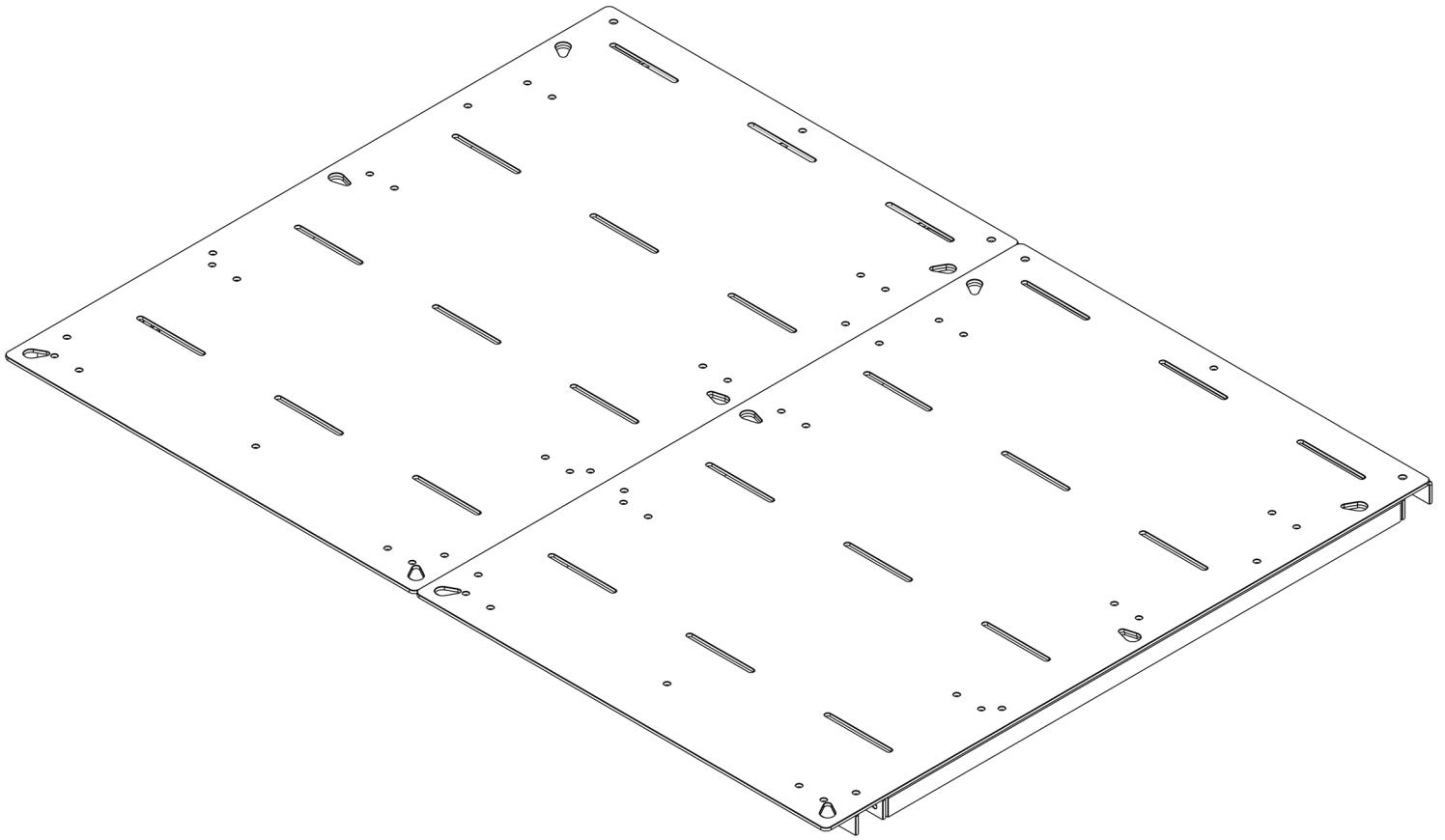
ASSEMBLY

7. Once the frame is bolted in place, you can grab one of your two floor panels and begin to install it to the frame. Any accessories you plan on installing to the floor panels need to be bolted in place before assembling to the frame. You will be provided with bolt in nut tabs, and the orientation of these depend on the accessory that you're installing. For more details check out our product pages and install videos on fridge slides and drawer assemblies. But for this install we will be just showing you how to bolt the floor panels to the frame. It doesn't matter which side each panel goes on, just make sure the end of the panel with the teardrop cut outs on it is closest to you. Once you have the panel laid on top of the frame, start to line up the holes in the panel to the mounting holes with the pems in the frame. Once the holes are lined up, use the provided 1/4" button heads to secure them. Be sure to do this process on both sides.



ASSEMBLY

8. Once both sides are tight, you are finished with your floor install. For placement and specific instruction of your new drawer or fridge slide, refer to your vehicle floor product page on our website for more details.



This installation guide shows how to assemble one floor system, but the possibilities are endless! Check out the product page for inspiration on how to maximize your space by using a combination of Off-Grid Drawers and our Off-Grid Fridge Slide!