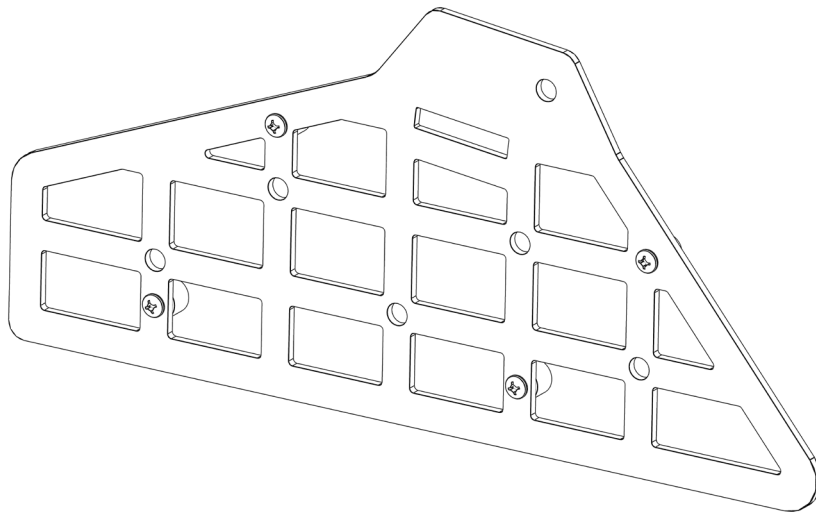




1ST GEN BRONCO SPORT CENTER CONSOLE MOLLE PANEL

INSTALL INSTRUCTIONS



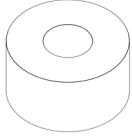
Please read the mounting instructions below carefully before attempting to install.

Be sure to check out the install video on the product page, if available.

Thank you for purchasing from JcROffroad! Checkout our website, www.jcroffroad.com for other great off-road products. Be sure to rate and review our product online. If you have any questions or are missing parts, please don't hesitate to call us at 269-353-1184!

INCLUDED HARDWARE

8x



.257" ID X .500" OD X .375"
Nylon Spacer

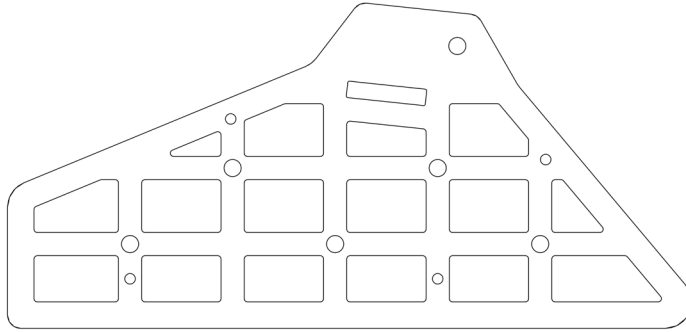
8x



8-15 X 3/4 PAN PHIL
Button Head

INCLUDED PARTS

2x



ASSEMBLY

- 1** Move your seat all the way back. Line up the panel so it is visually close to the image below (driver side) and following the angles and lines of the console. Once it is in position, make a mark in each of the (4) mounting holes in the panel.



- 2** Make a hole in the center console at each mark using either a 1/8" drill bit, or a pick. Only drill deep enough to get the screws started, it is not necessary to drill all the way through. This will prevent any possibility of damaging anything behind the console. Then, install the panel using a Phillips screwdriver. Use 1 screw and 1 spacer per hole.

ASSEMBLY

