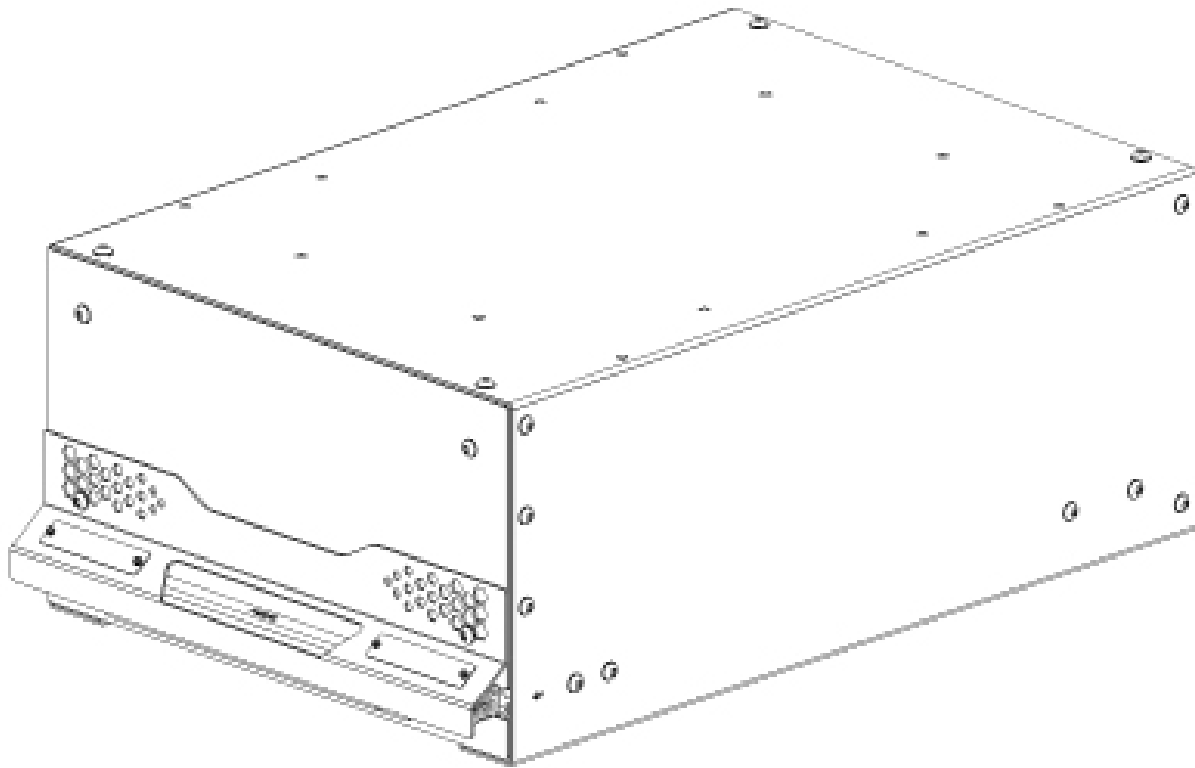




# OFF-GRID DRAWER SYSTEM

## INSTALLATION INSTRUCTIONS



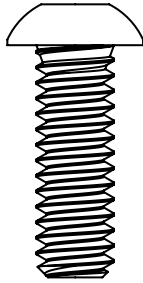
**Please read the mounting instructions below carefully before attempting to install.**

**Check out the install video on the product page for more detailed information.**

Thank you for purchasing from Victory 4x4! Checkout our website, [jcroffroad.com](http://jcroffroad.com) for other great off-road products. Be sure to rate and review our product online. If you have any questions or are missing parts, please don't hesitate to call us at 269-353-1184!

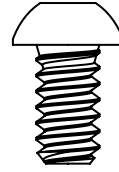
# INCLUDED HARDWARE

34x



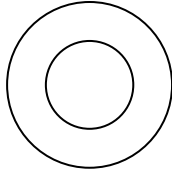
1/4"-20 X 1/2"  
Button Head

22x



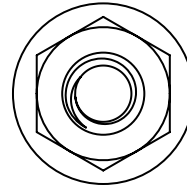
1/4"-20 X 3/8"  
Button Head

52x



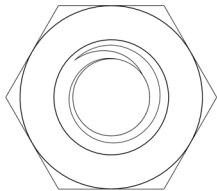
1/4" ID Black  
Washer

36x



1/4"-20  
Serr. Flange Nut

16x

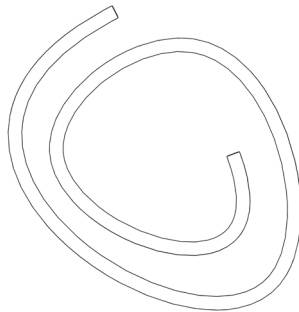


1/4" Flat  
Nuts

1x

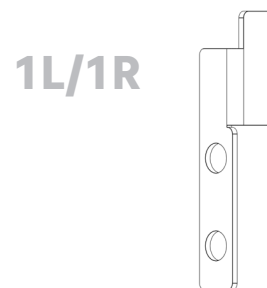
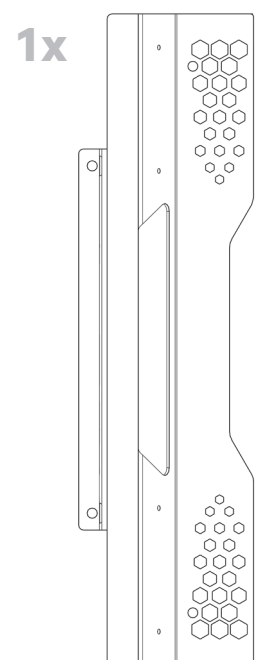
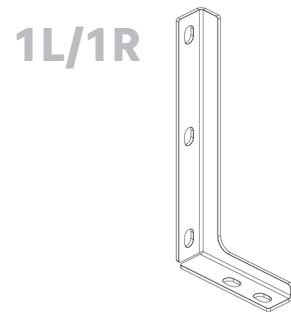
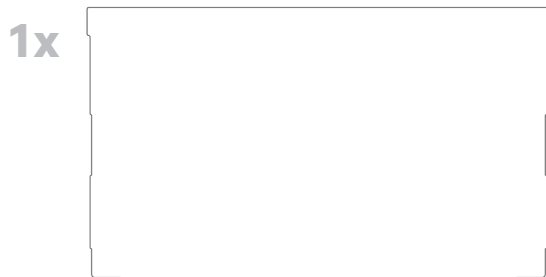
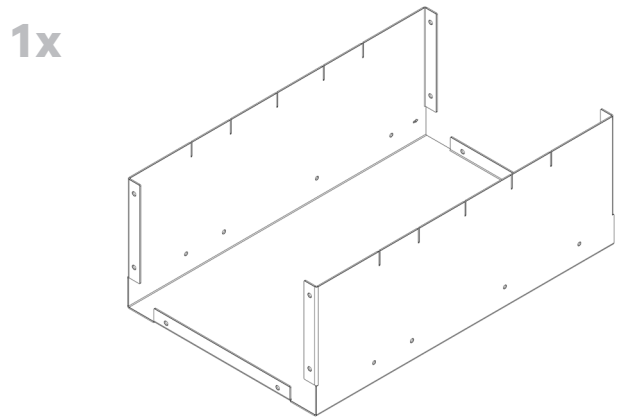
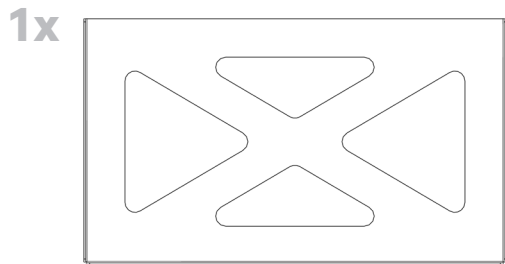
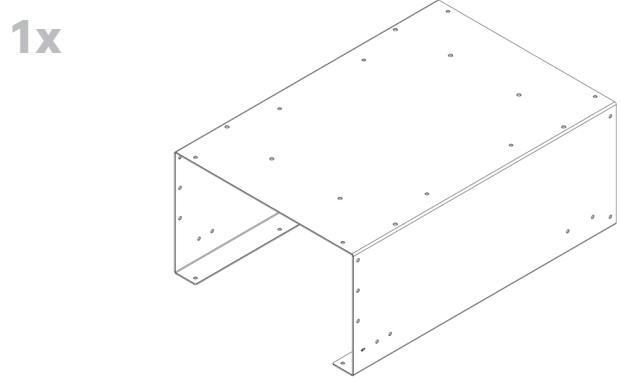
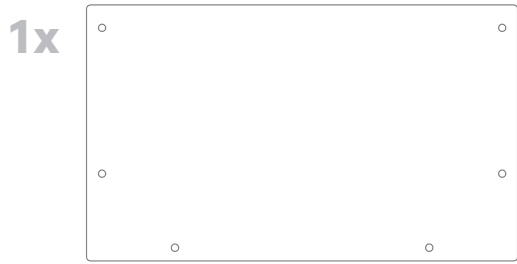
Loctite Packet

1x



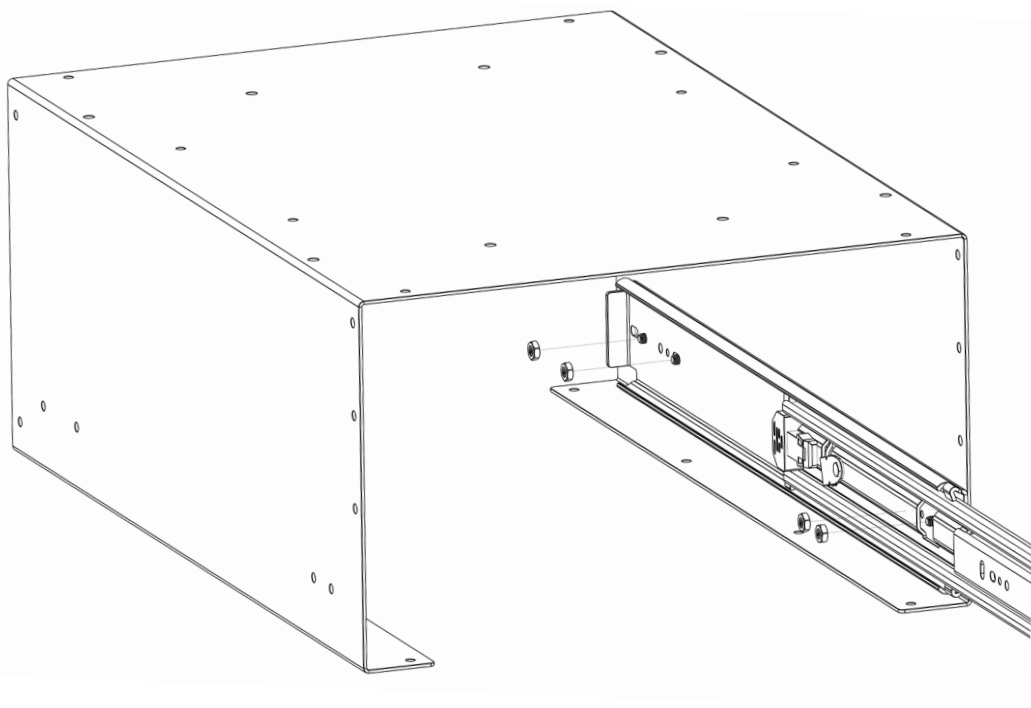
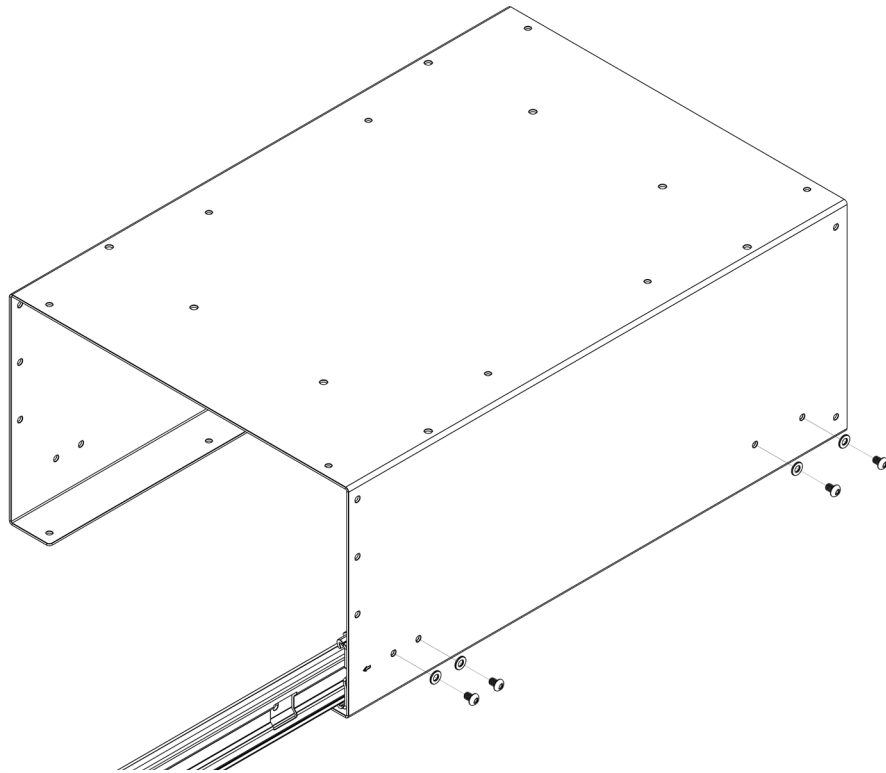
18" Edge Trim  
Strip

# INCLUDED PARTS



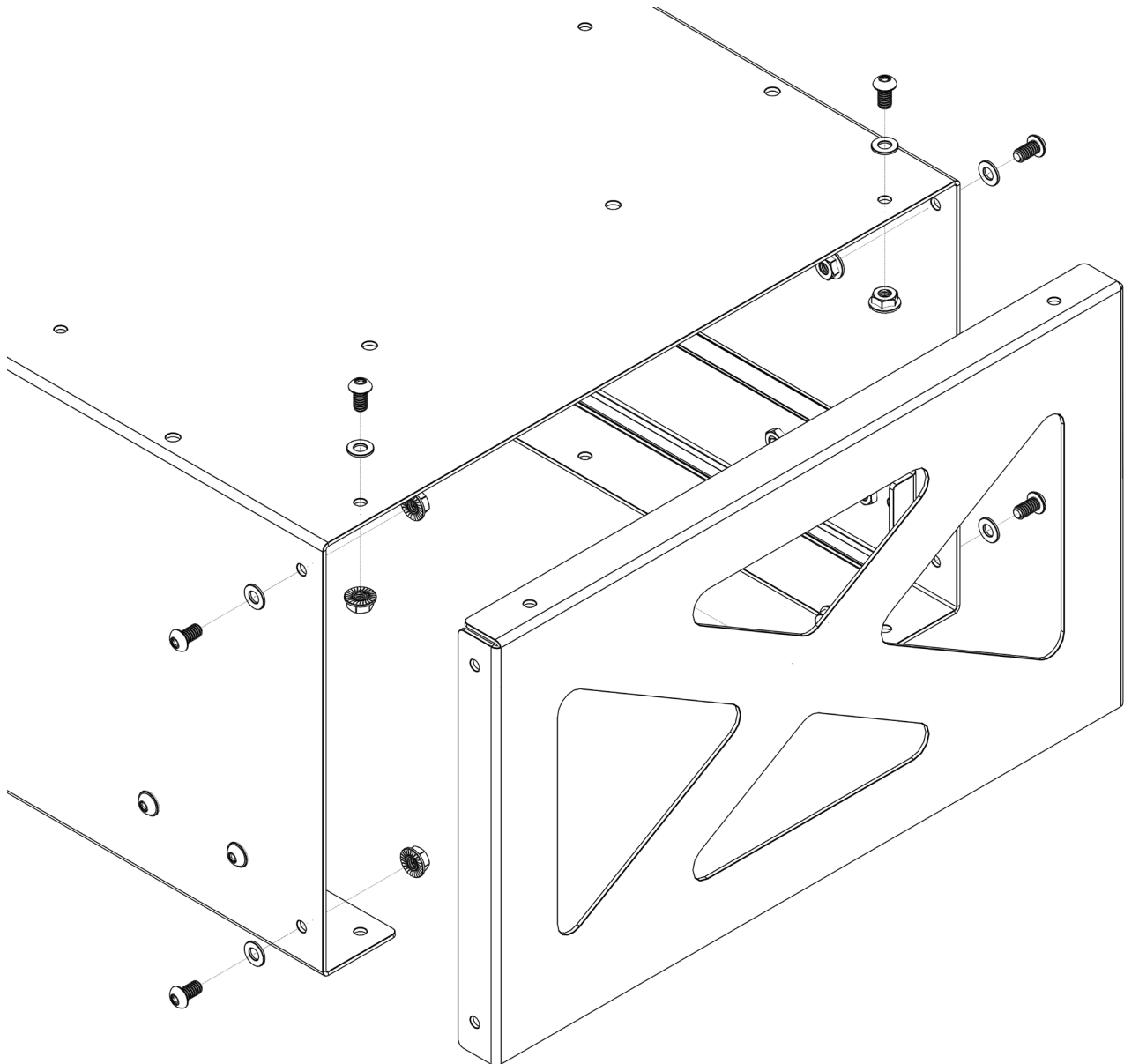
# ASSEMBLY

1. Start by taking the (2) provided slides and bolt one to each side of the inside of the slide assembly with the red handles pointing out, as shown in the orientation below. Making sure to use (4) each per side of the provided shorter 1/4" button heads, washers and flat nuts and apply the provided blue loctite to the bolts before tightening. You will need to extend the slide to access some of the mounting holes on the inside.



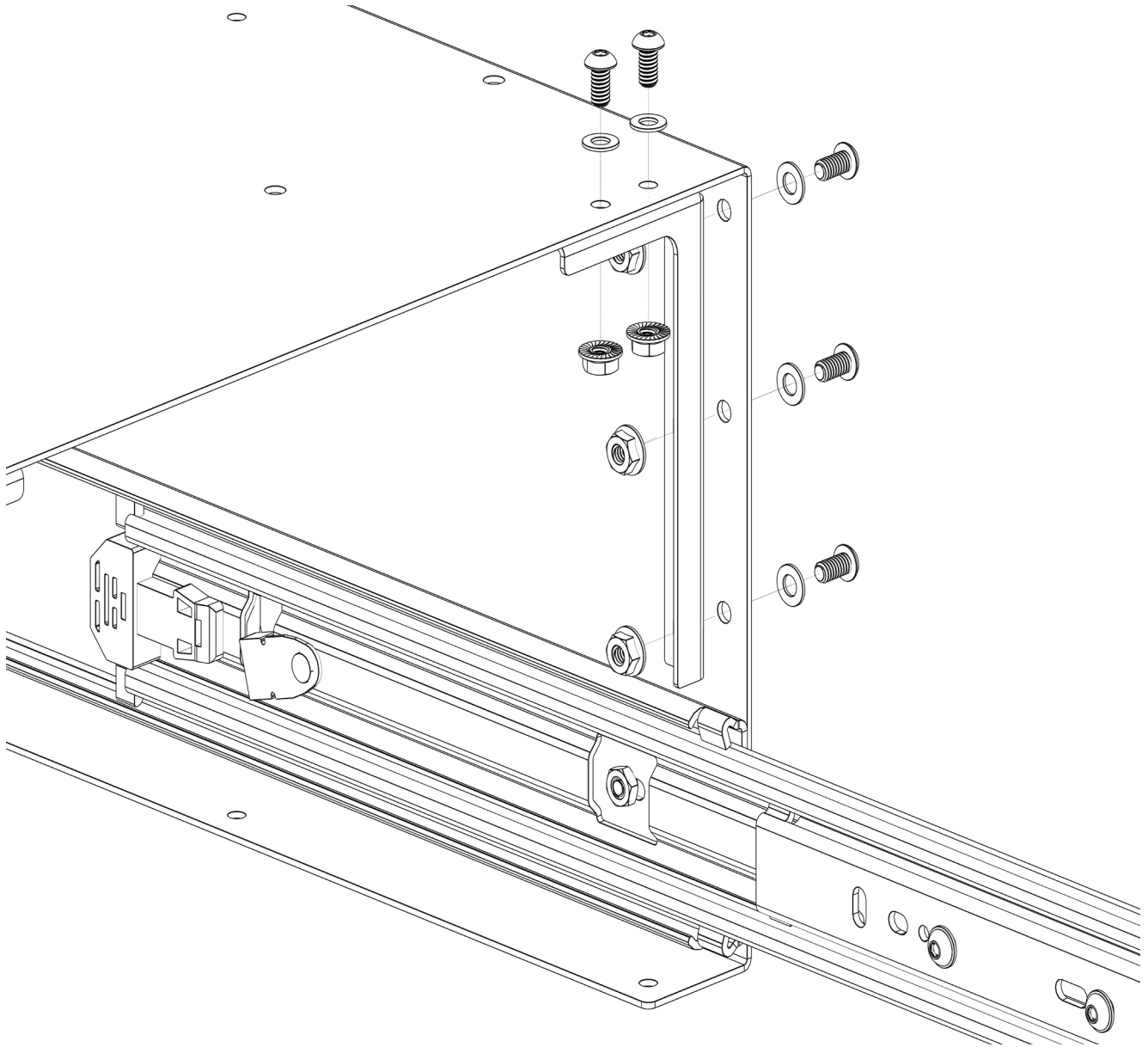
# ASSEMBLY

2. Next, take the back piece of the cabinet assembly with the "X" cutout and bolt that piece to the main U shaped slide piece using (6) each of the provided longer 1/4" button heads, washers and flange nuts as shown in the orientation below.



# ASSEMBLY

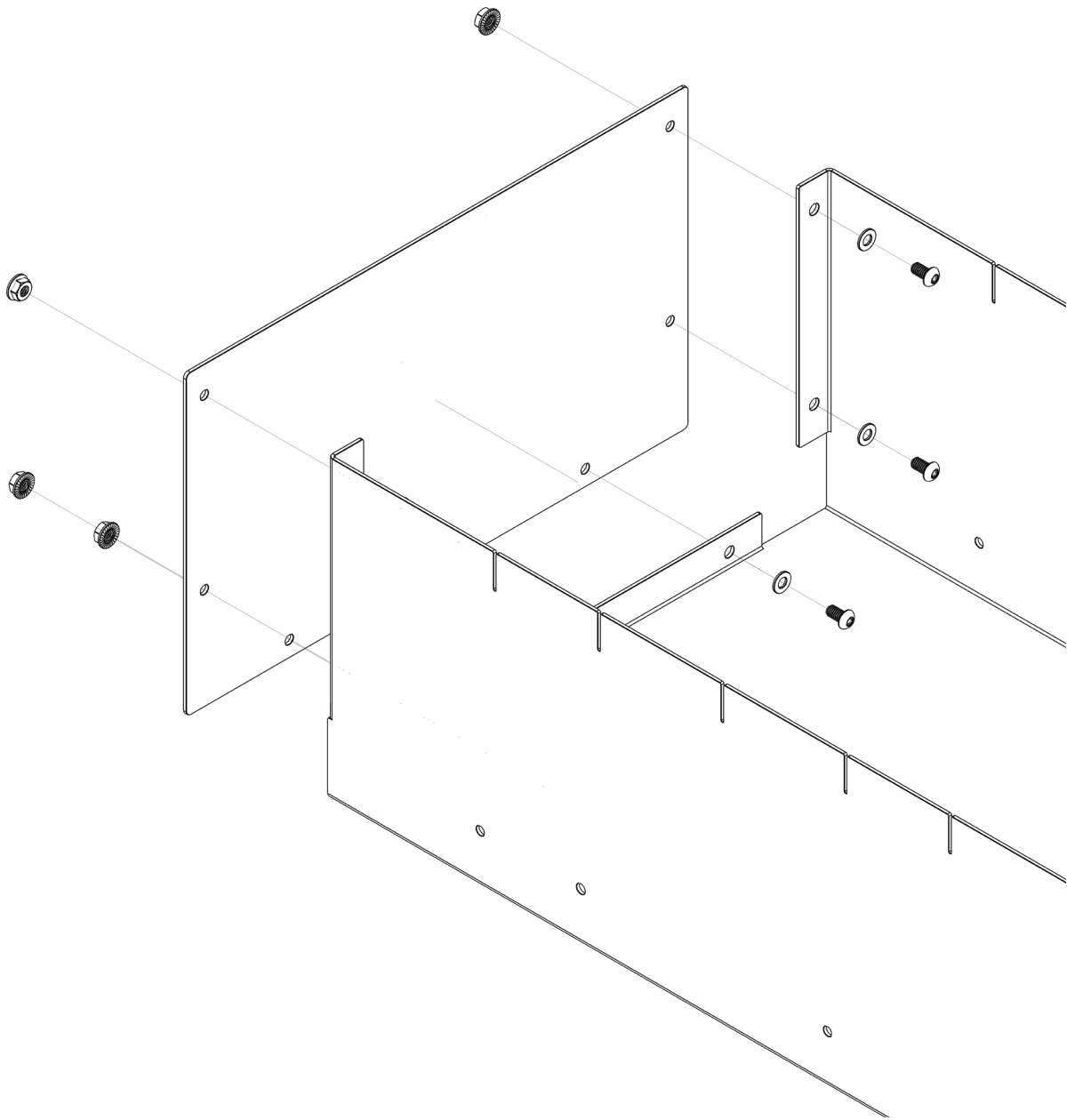
- 3.** \*This step only applies to 10" drawers. Next, mount the (2) provided L shaped brackets in the upper inside corners of the slide assembly with the provided 1/4" button heads, washers and flange nuts as shown in the orientation below. Make sure to do this on each side.



- 4.** Once you have all of that assembled, you can now bolt the cabinet assembly to your floor through the (4) bottom mounting holes on each side using the provided 1/4" button heads, washers to secure into nutstrips. For more details on our vehicle specific floor systems, be sure to check out our product page on our website and watch our install video.

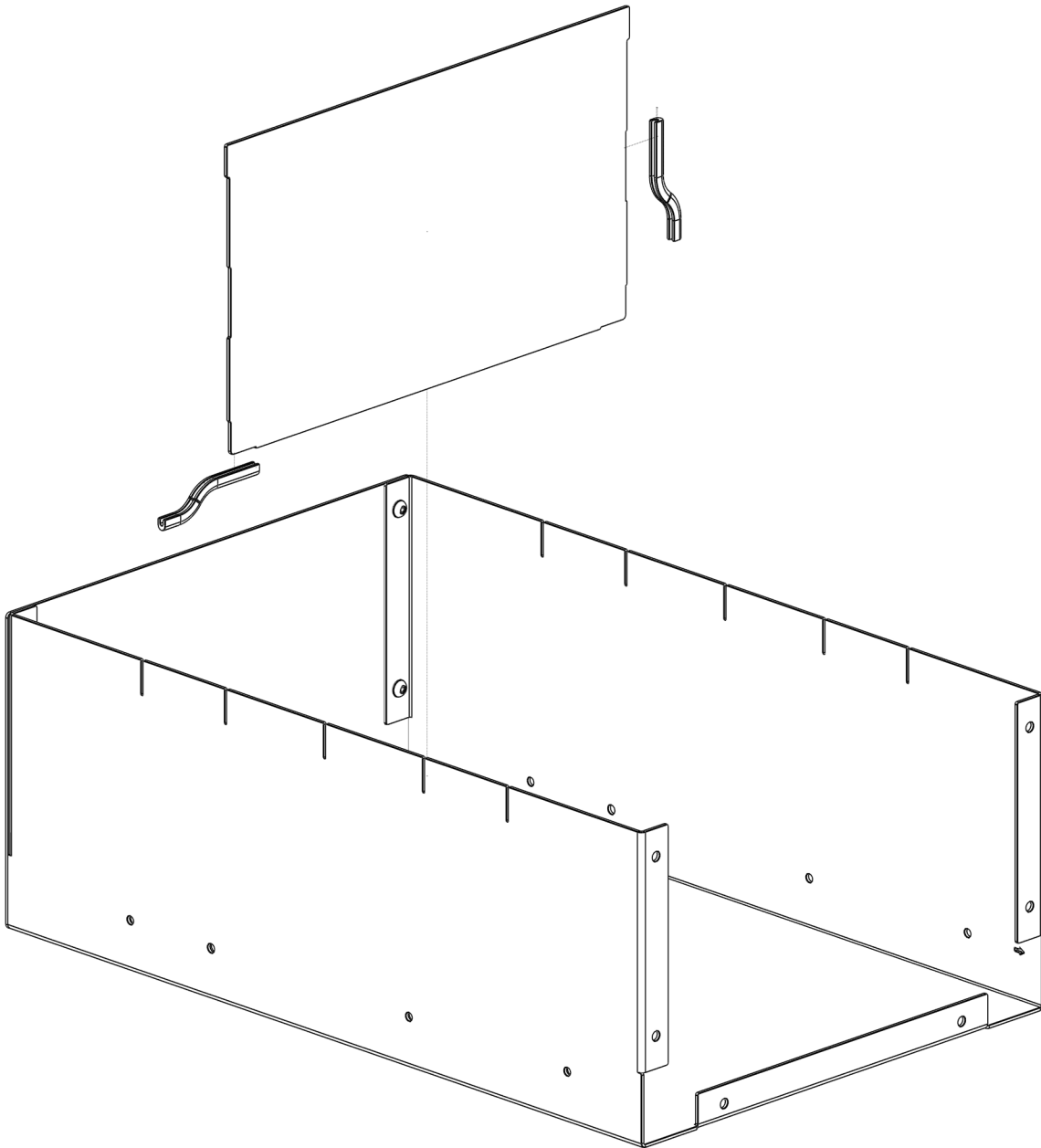
# ASSEMBLY

5. You are now ready to assemble the drawer, start with the flat rectangle piece and mount it to the back side of "U" shaped drawer. Look for the arrow pointing forward to identify which direction the drawer should be facing. Then tighten the piece into place with the provided 1/4" button heads, washers and flange nuts, as shown in the orientation below.



# ASSEMBLY

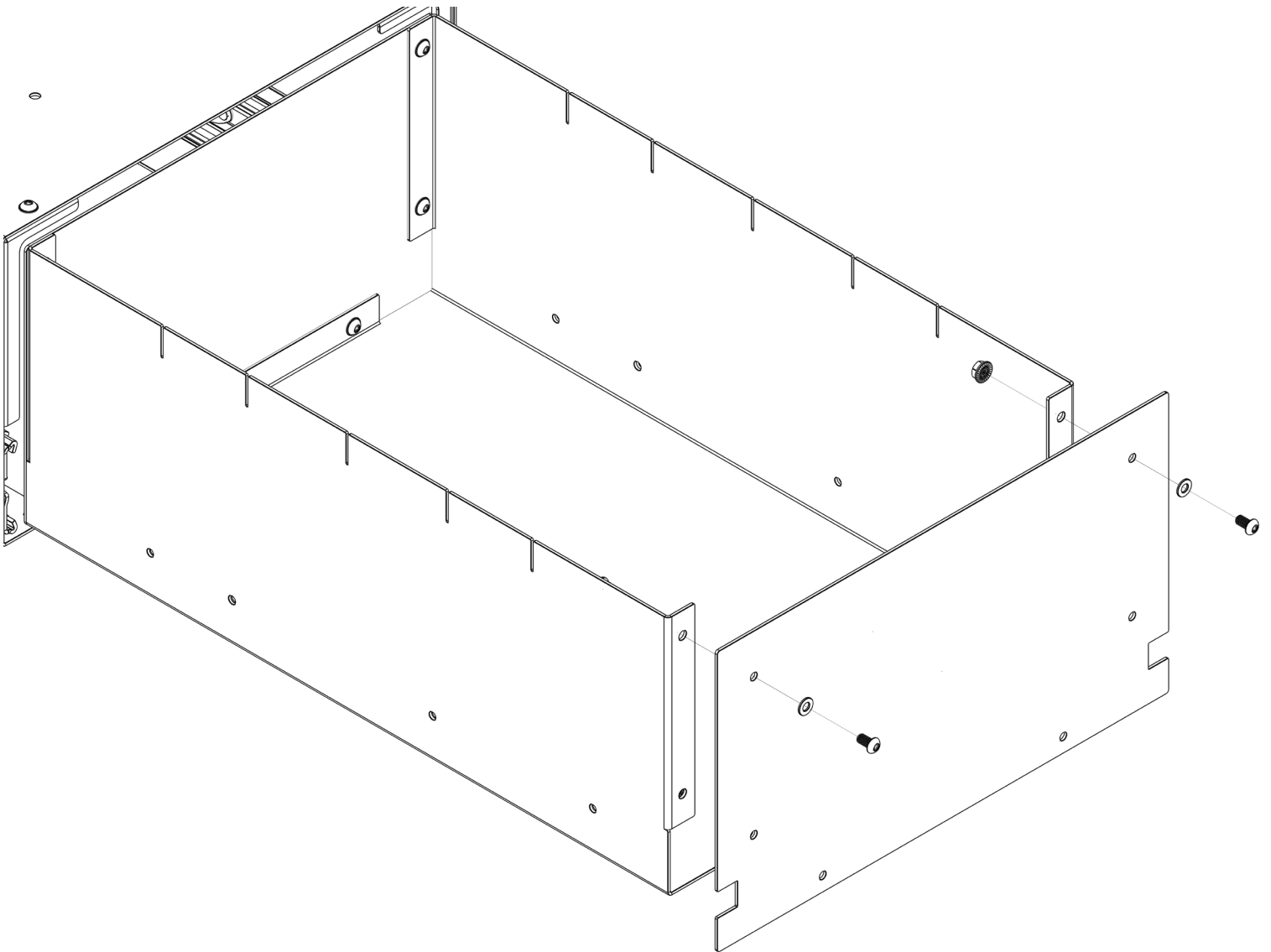
6. Once the back piece to the drawer is attached, you can now slide in the provided divider piece from the top into whichever slot in the drawer to your liking, as shown below. Edge trim will be provided to be cut and trimmed to nest inside the cutouts of this panel.





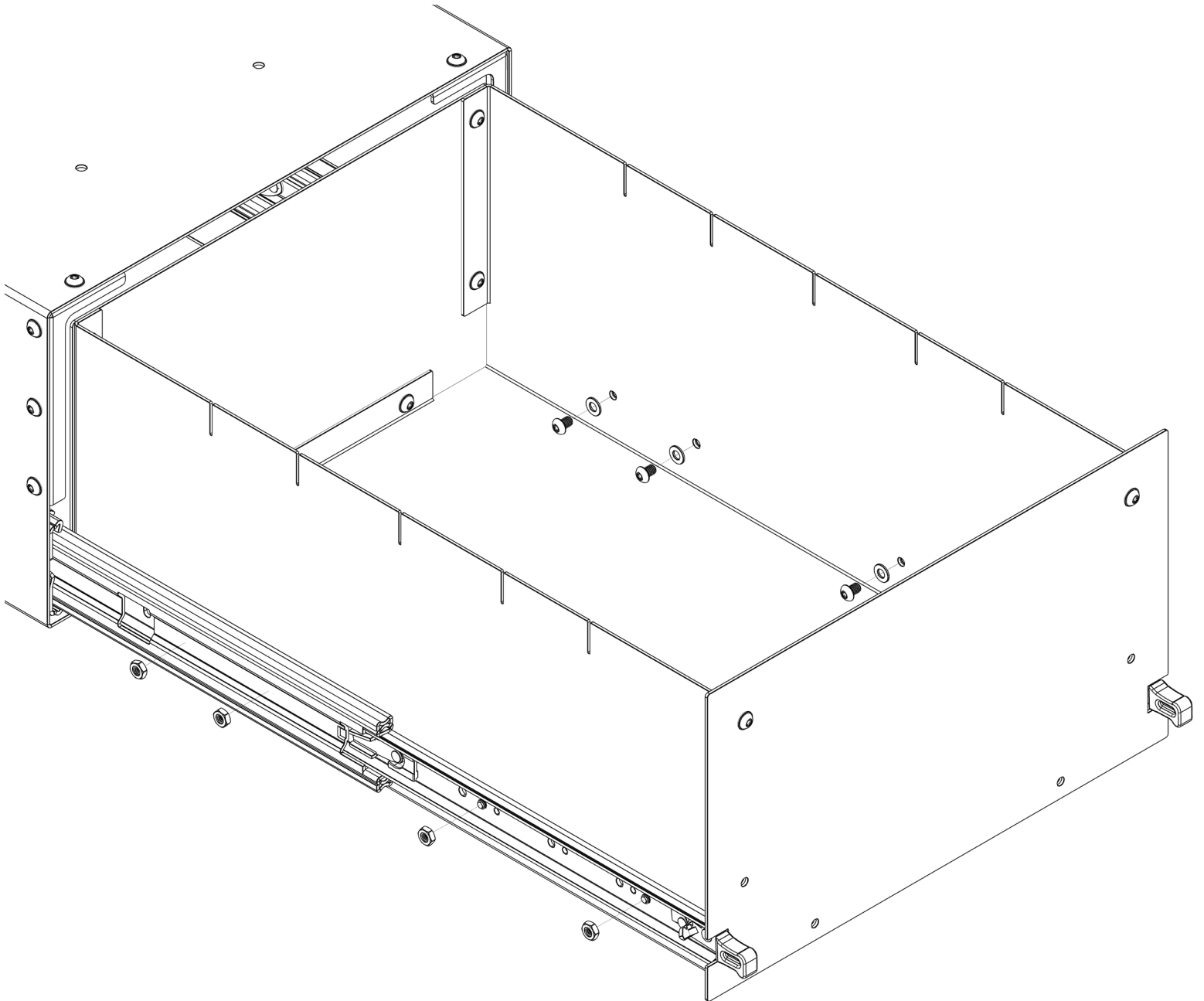
# ASSEMBLY

- 7.** You can now start to fasten the front drawer piece onto the drawer assembly. To do so use (2) of the provided  $1/4" \times 3/8"$  long button heads, washers and flange nuts, as shown below.



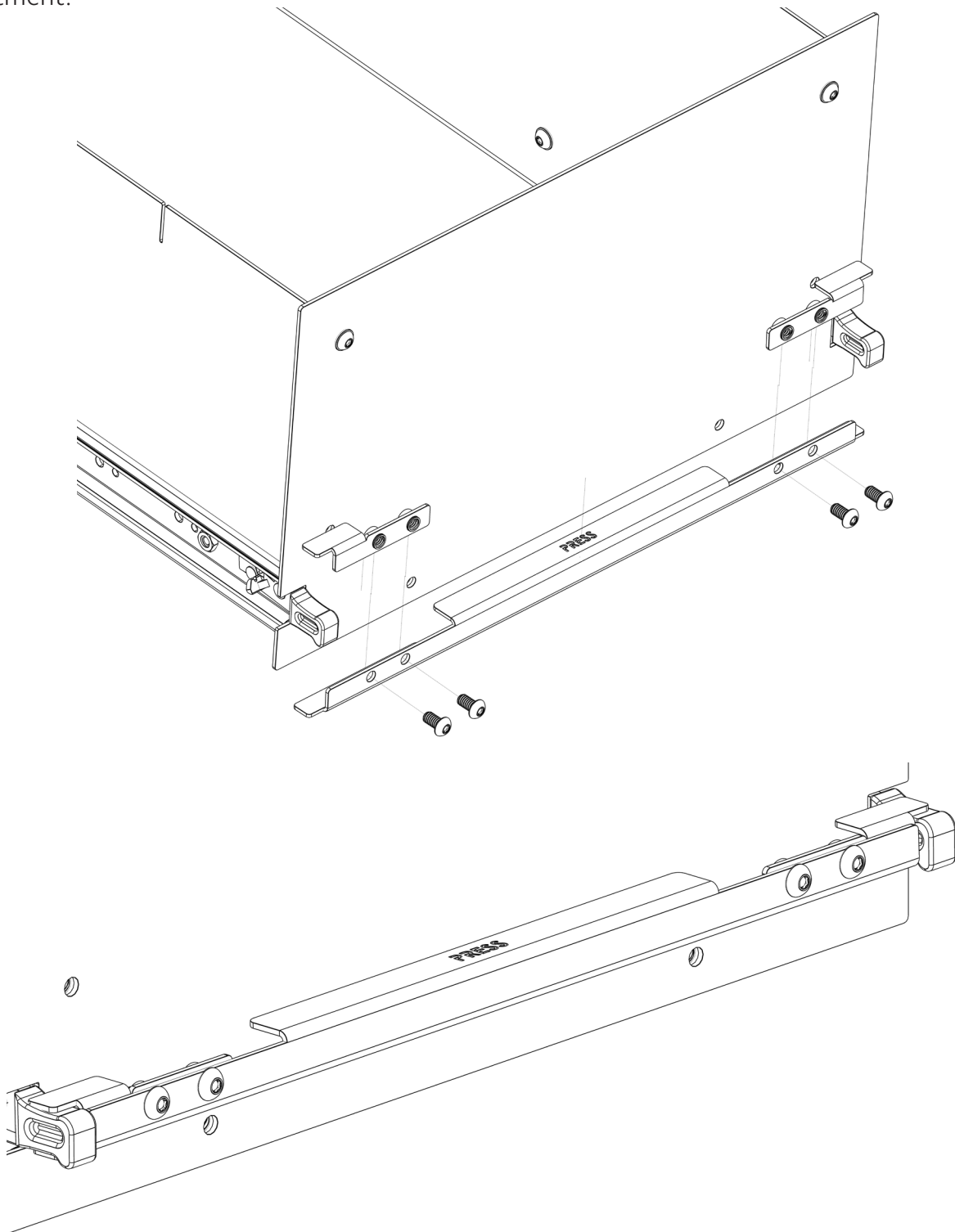
# ASSEMBLY

8. With the front piece in place, you now need to attach the drawer assembly to your slide system using (4) of the provided  $1/4" \times 3/8"$  long button heads with loctite applied to them, with washers and flat nuts on each side, as shown in the orientation below. Be sure that the button heads are installed from the inside of the drawer facing out. You will need to adjust the length of the slide to access some of the bolt holes.



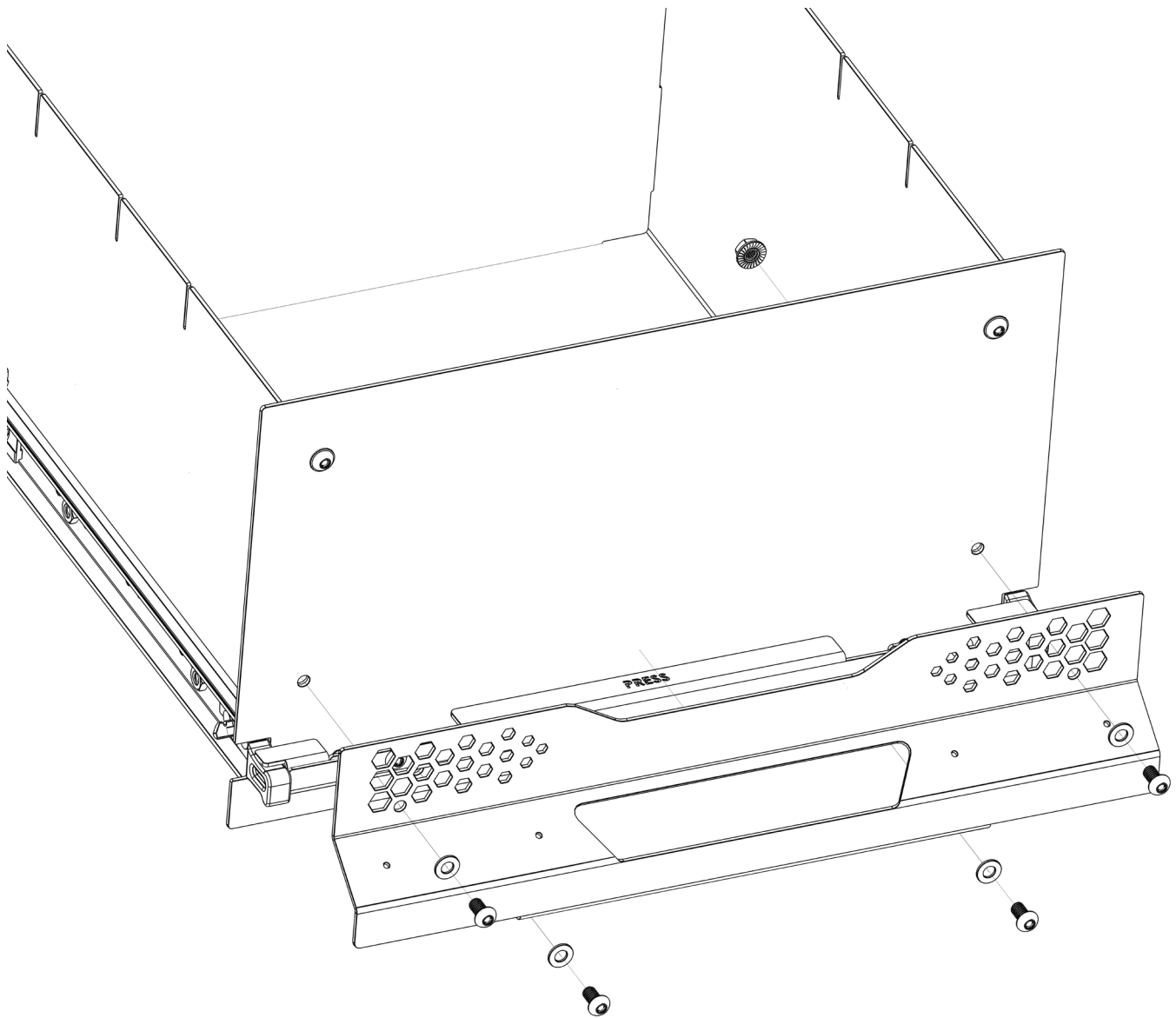
# ASSEMBLY

9. With your drawer attached to your slides, you can now assemble the handle system around the red latches on the slides. To do so, use (4) of the provided button heads and secure them through the "PRESS" bracket into the pem nut bracket and sandwich them around the red grab handles so they are grabbing them, as shown in the orientation below. You may need to preload the assembly with a clamp before final torque to ensure proper fitment.



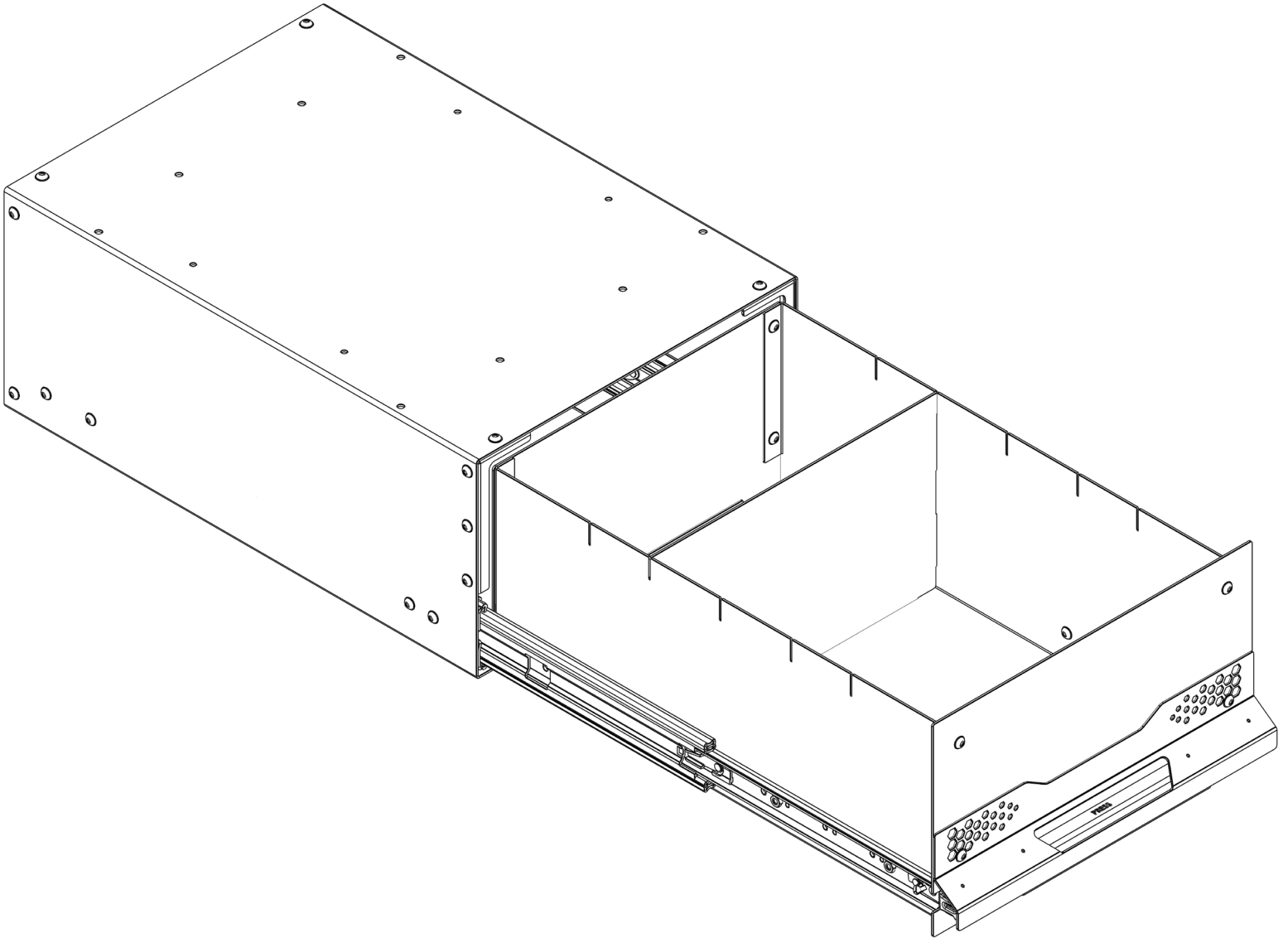
# ASSEMBLY

- 10.** The final step is to secure the handle cover bracket to the front of the drawer to complete your install. Take (4) of the provided 1/4" button heads, washers and flange nuts and use them to secure the bracket to the panel, as shown in the orientation below. *\*If you've purchased our label kit, you will install them here before securing the handle cover.*



# ASSEMBLY

- 11.** You are now finished with the install, enjoy your new drawer system! For placement and specific instruction of your new drawer, refer to your vehicle floor product page on our website for more detail.



This installation guide shows how to assemble one Off-Grid Drawer assembly, but the possibilities are endless! Check out the product page for inspiration on how to maximize your space by using a combination of Off-Grid Drawers and our Off-Grid Fridge Slide!