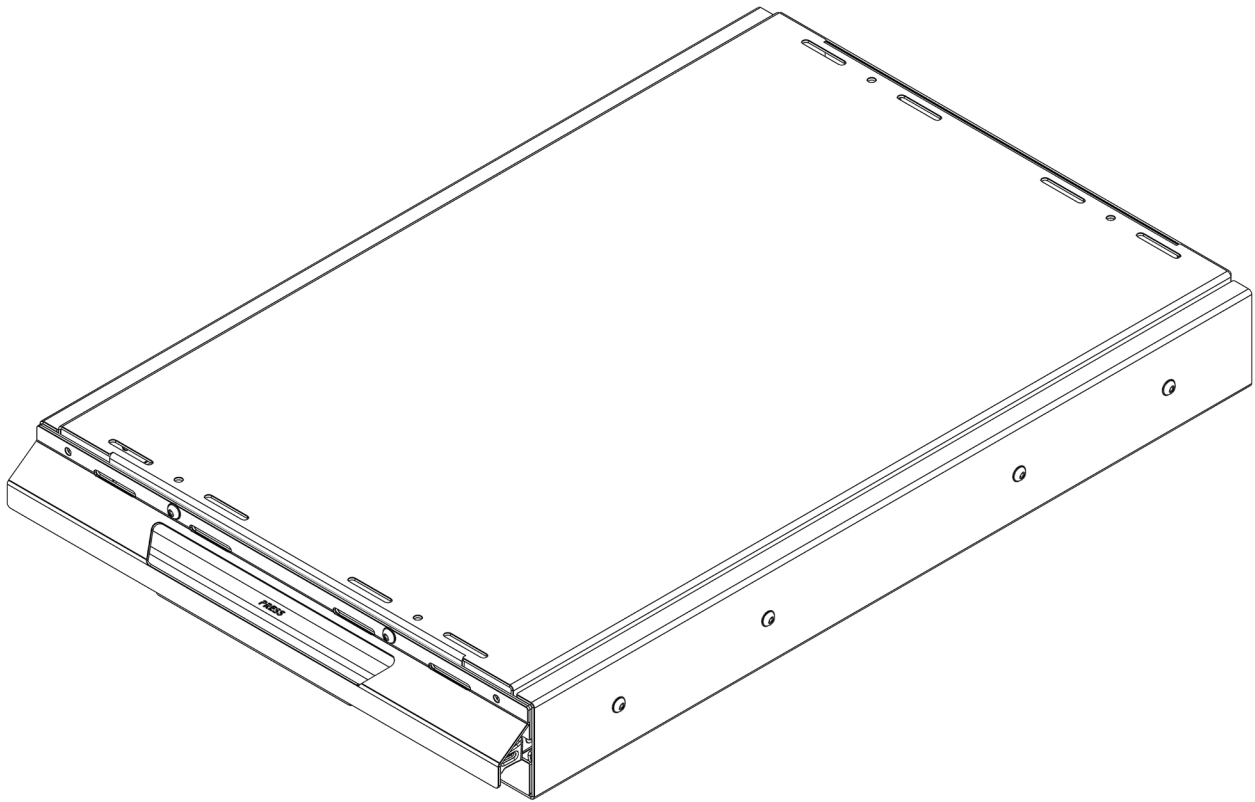




OFF-GRID FRIDGE SLIDE

INSTALLATION INSTRUCTIONS



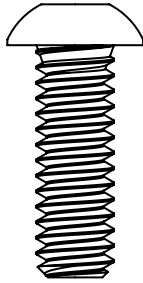
Please read the mounting instructions below carefully before attempting to install.

Check out the install video on the product page for more detailed information.

Thank you for purchasing from Victory 4x4! Checkout our website, jcroffroad.com for other great off-road products. Be sure to rate and review our product online. If you have any questions or are missing parts, please don't hesitate to call us at 269-353-1184!

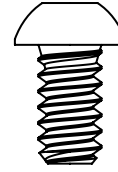
INCLUDED HARDWARE

16x



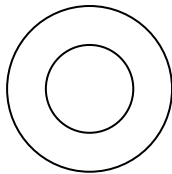
1/4"-20 X 1/2"
Button Head

30x



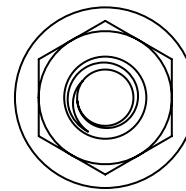
1/4"-20 X 3/8"
Button Head

46x



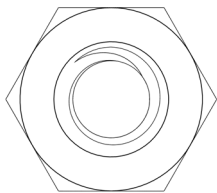
1/4" ID Black
Washer

34x



1/4"-20
Serr. Flange Nut

16x



1/4" Flat
Nuts

1x

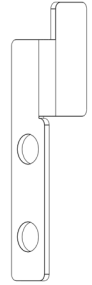
Loctite Packet

INCLUDED PARTS

1x



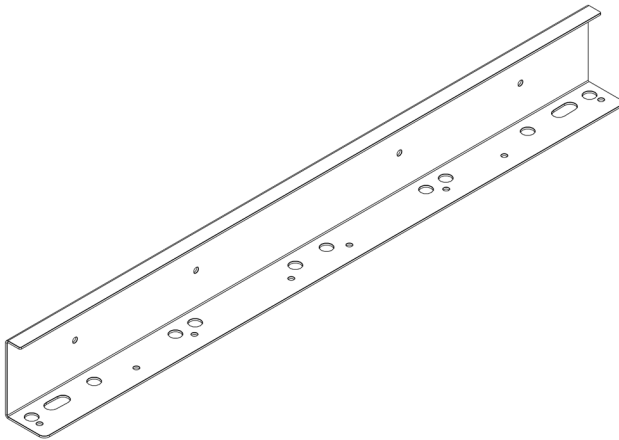
1L/1R



1x



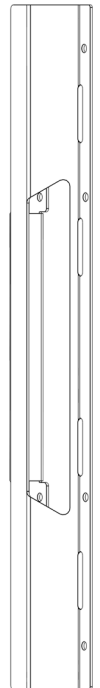
2x



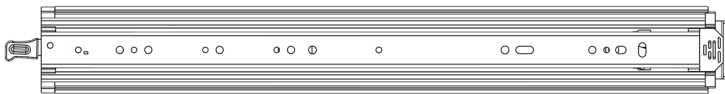
1x



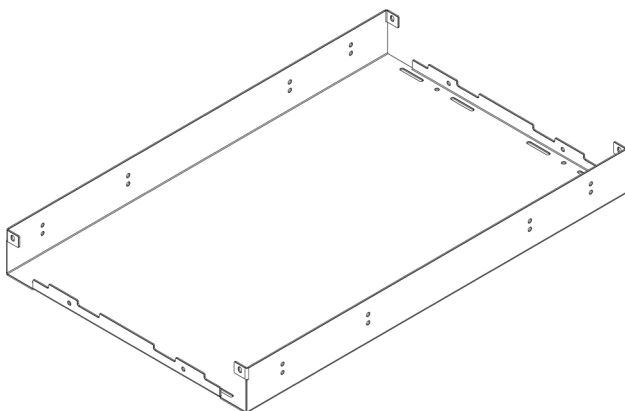
1x



2x

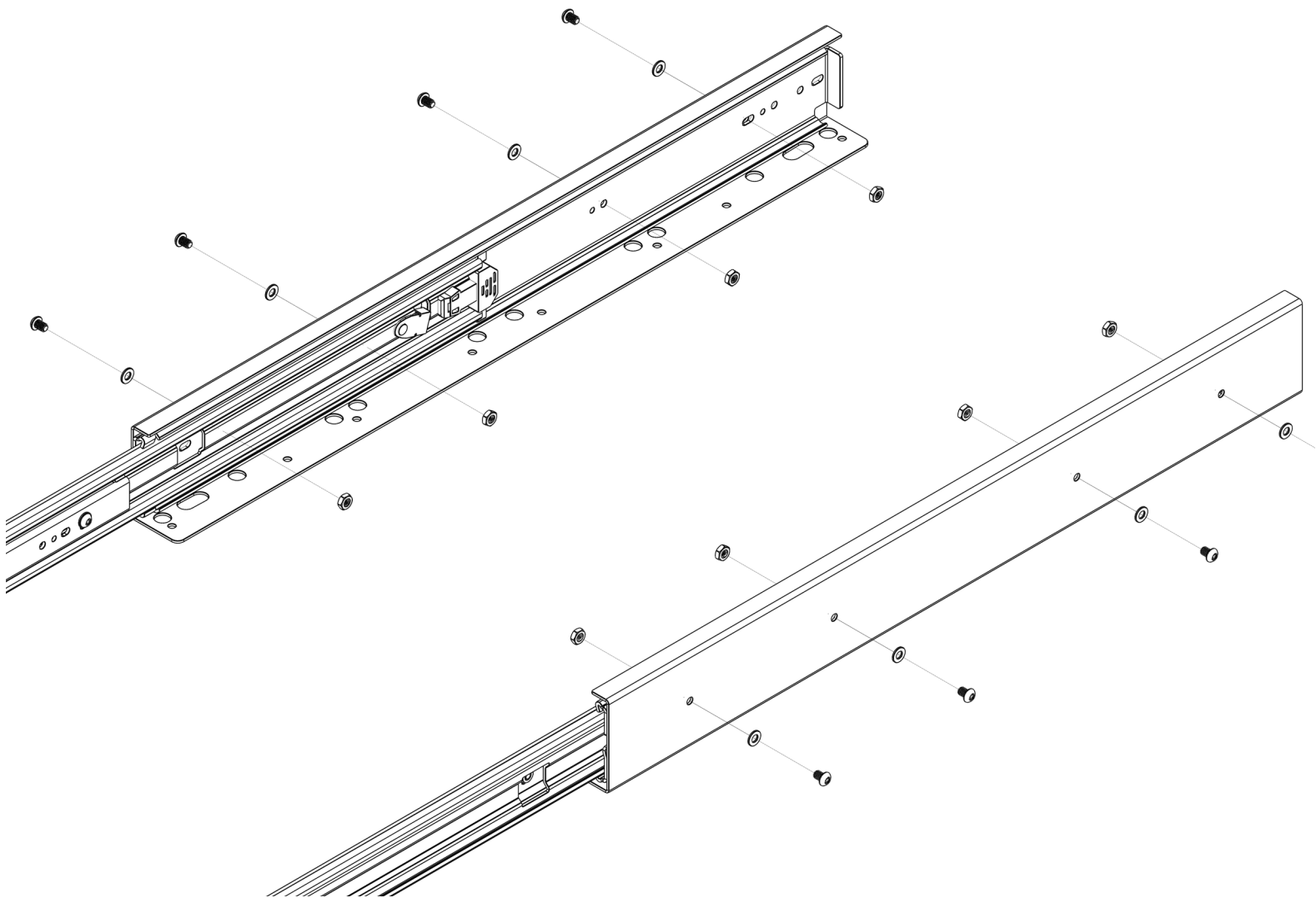


1x



ASSEMBLY

1. Start by taking the (2) provided slides and bolt each one to the insides of the provided floor mounts, making sure the red handles are pointing out, as shown in the orientation below. Make sure to use (4) each per side of the provided shorter 1/4" button heads, washers and flat nuts and apply the provided blue loctite to the bolts before tightening. You will need to extend the slide to access some of the mounting holes on the inside.

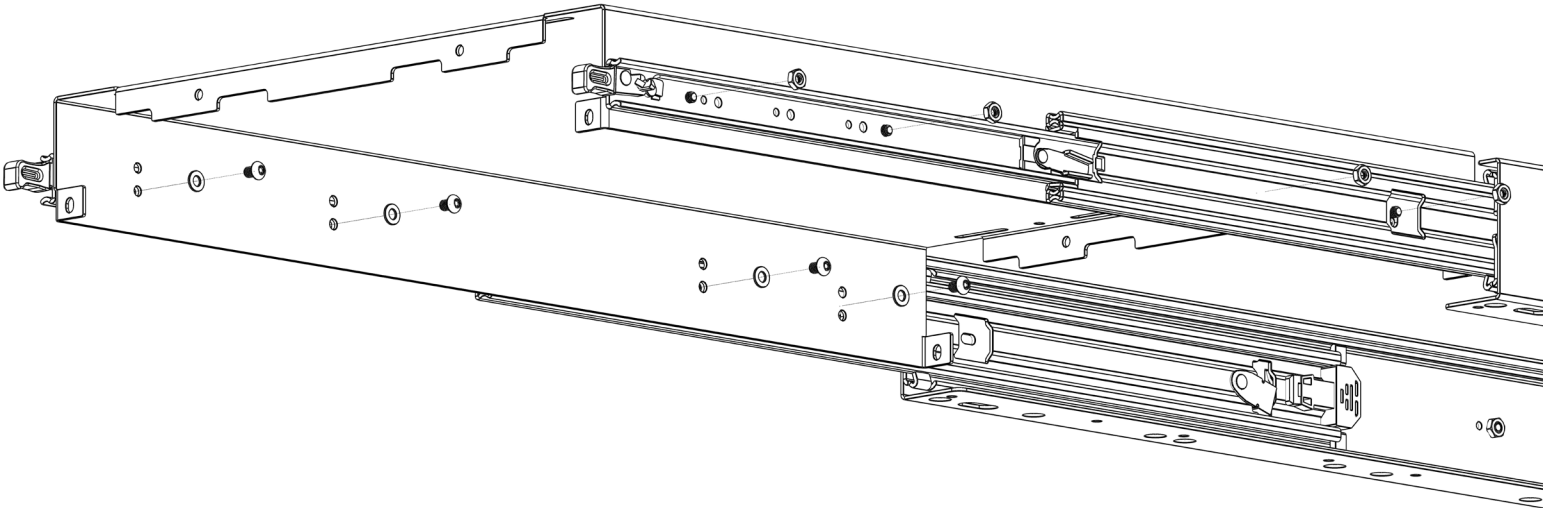
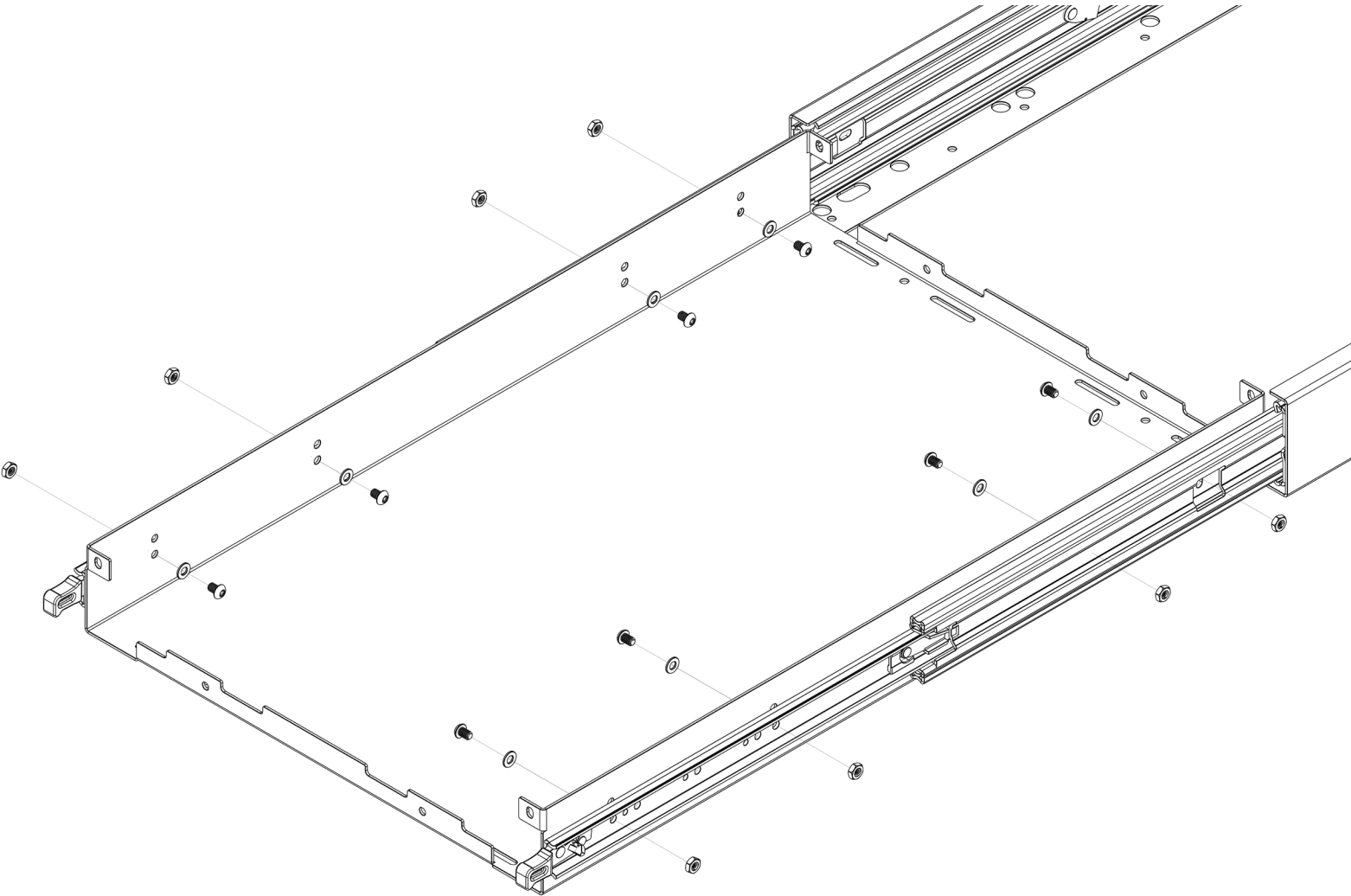


ASSEMBLY

- 2.** Once you have that assembled, you can now bolt the cabinet assembly to your floor through the bottom mounting holes on each side using the longer 1/4" button heads and washers to secure into nutstrips. For more details on our vehicle specific floor systems, be sure to check out our product page on our website and watch our install video.

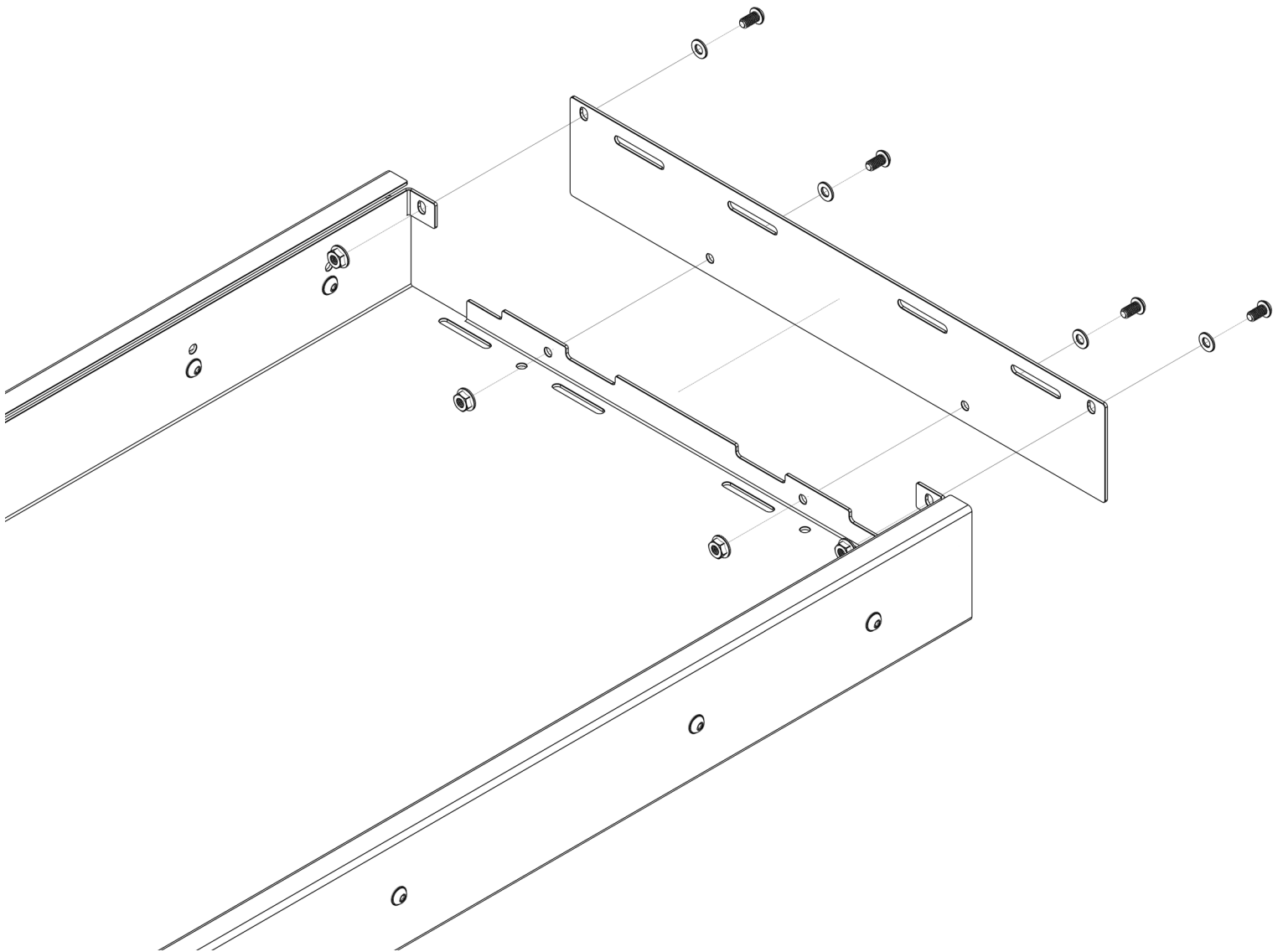
- 3.** Next you need to decide if you are going to mount the provided "U" shaped fridge slide platform upright or upside down, depending on the size of your fridge. If your fridge is wider than 18" then you will need to mount it upside down so the fridge can overhang the sides. Just be aware that your fridge will now sit 3.5" taller if mounted upside down and sitting on top opposed to sitting inside the tray. You will mount the bracket to the slides with the provided 1/4" button heads, washers and flat nuts as shown in the orientation below.

ASSEMBLY



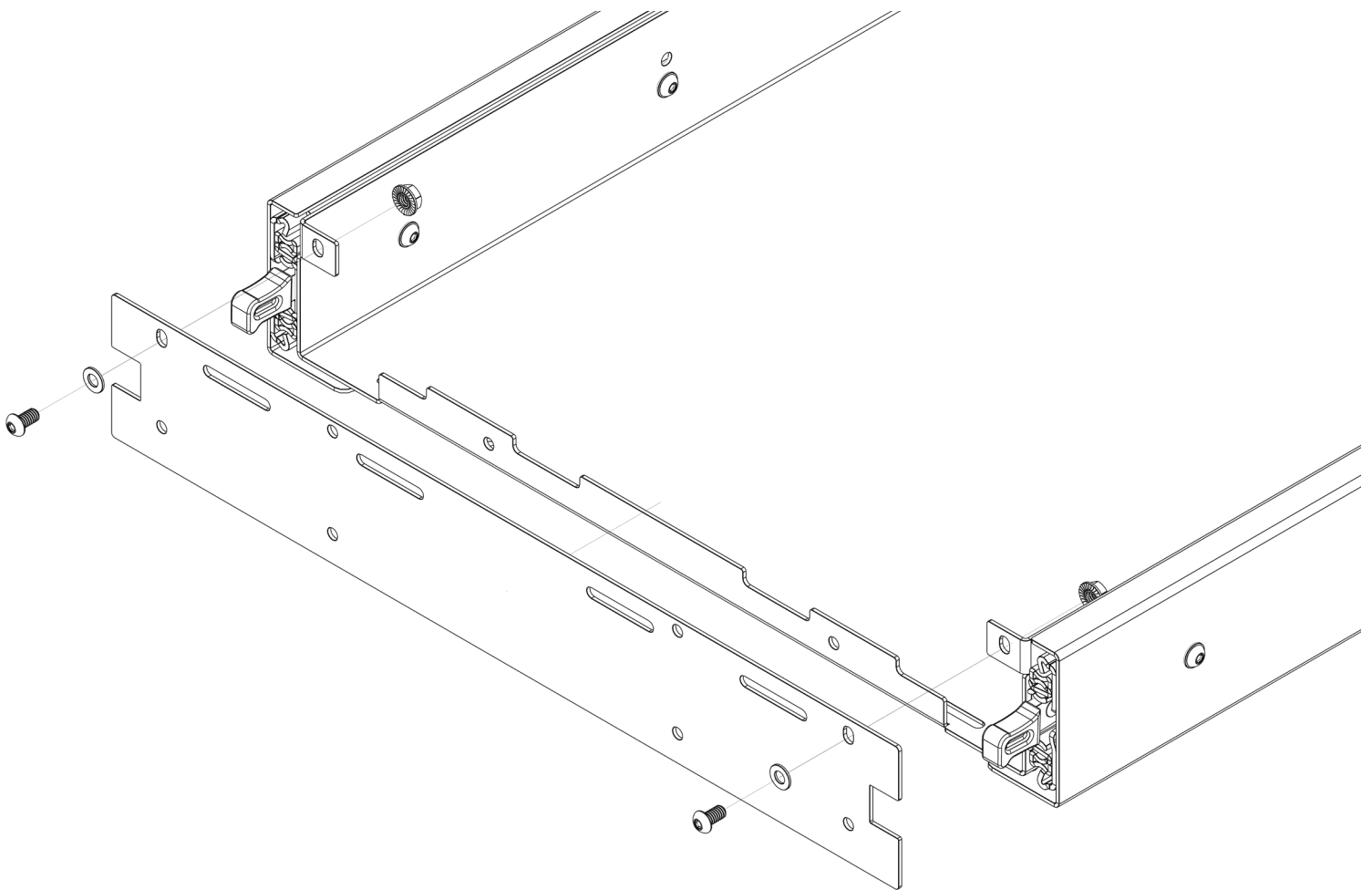
ASSEMBLY

4. Once you have your bracket installed to the slides in the orientation of your choice, you can now bolt the back piece to your bracket. To do so use the provided 1/4" button heads, washers and nuts as shown in the orientation below.



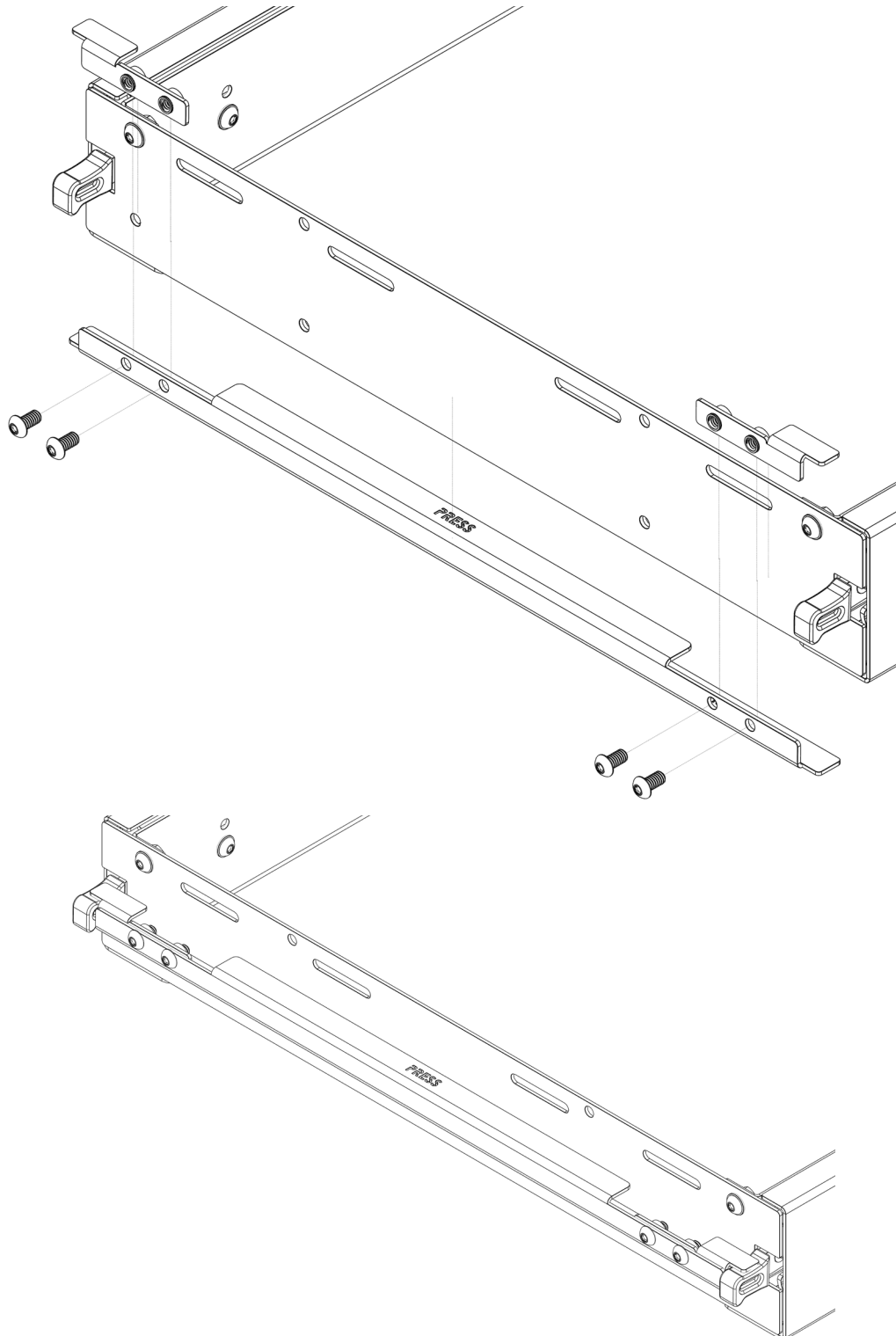
ASSEMBLY

5. Once the back piece to the slide platform is attached, you can now bolt the front piece to your fridge slide on. Take the provided front bracket and (2) 1/4" button heads, washers and flange nuts and assemble in the orientation shown below. If you have your tray is installed upright, like shown below, that hardware will only be installed temporarily until the handle is assembled after step 6. If your tray is installed upside down then you would mount to the bottom set of holes and those would stay there permanently.



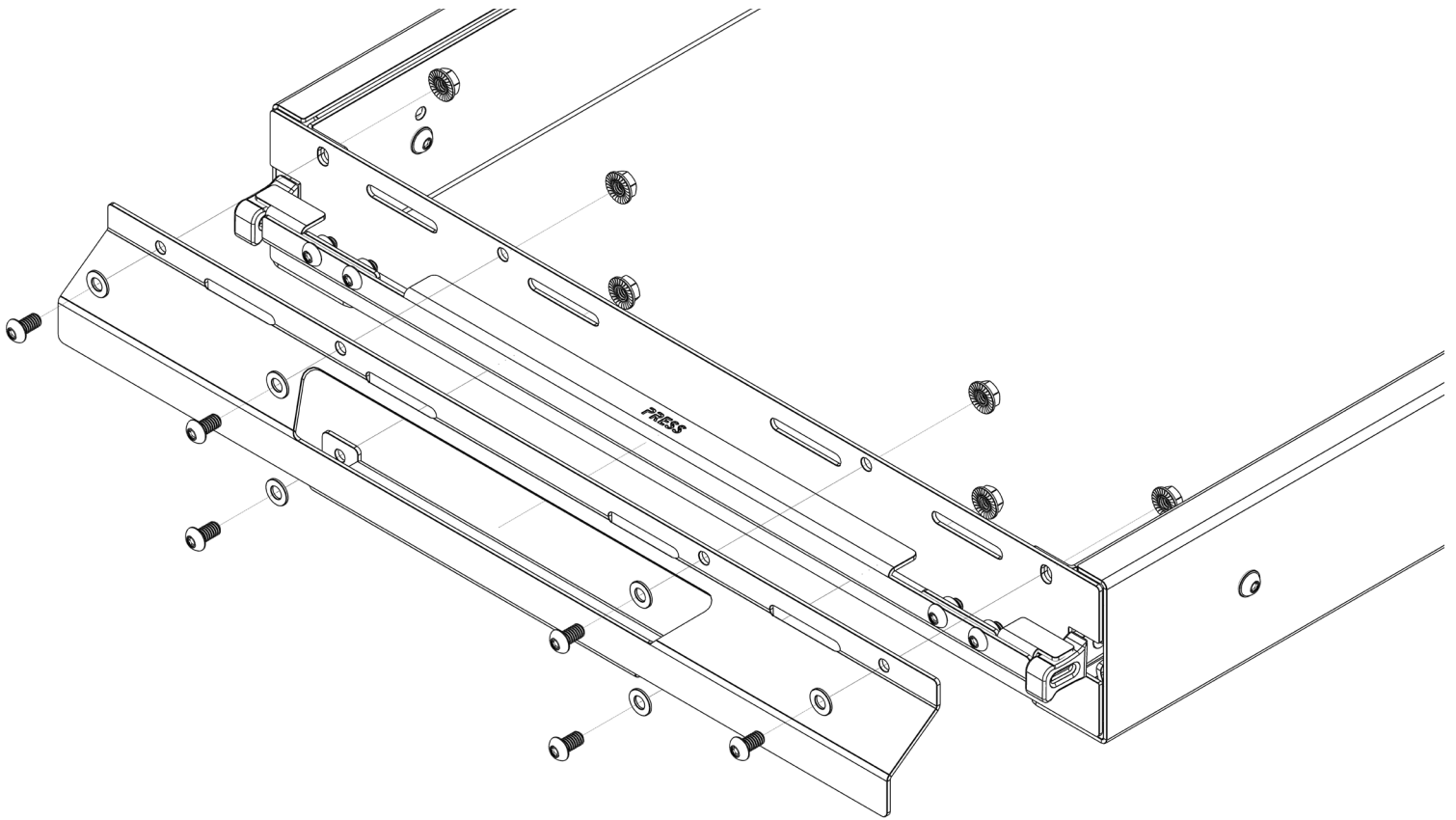
ASSEMBLY

6. You are now ready to assemble the handle system around the red latches on the slides. To do so, use (4) of the provided button heads and secure them through the "PRESS" bracket into the pem nut bracket and sandwich them around the red grab handles so they are grabbing them, as shown in the orientation below.



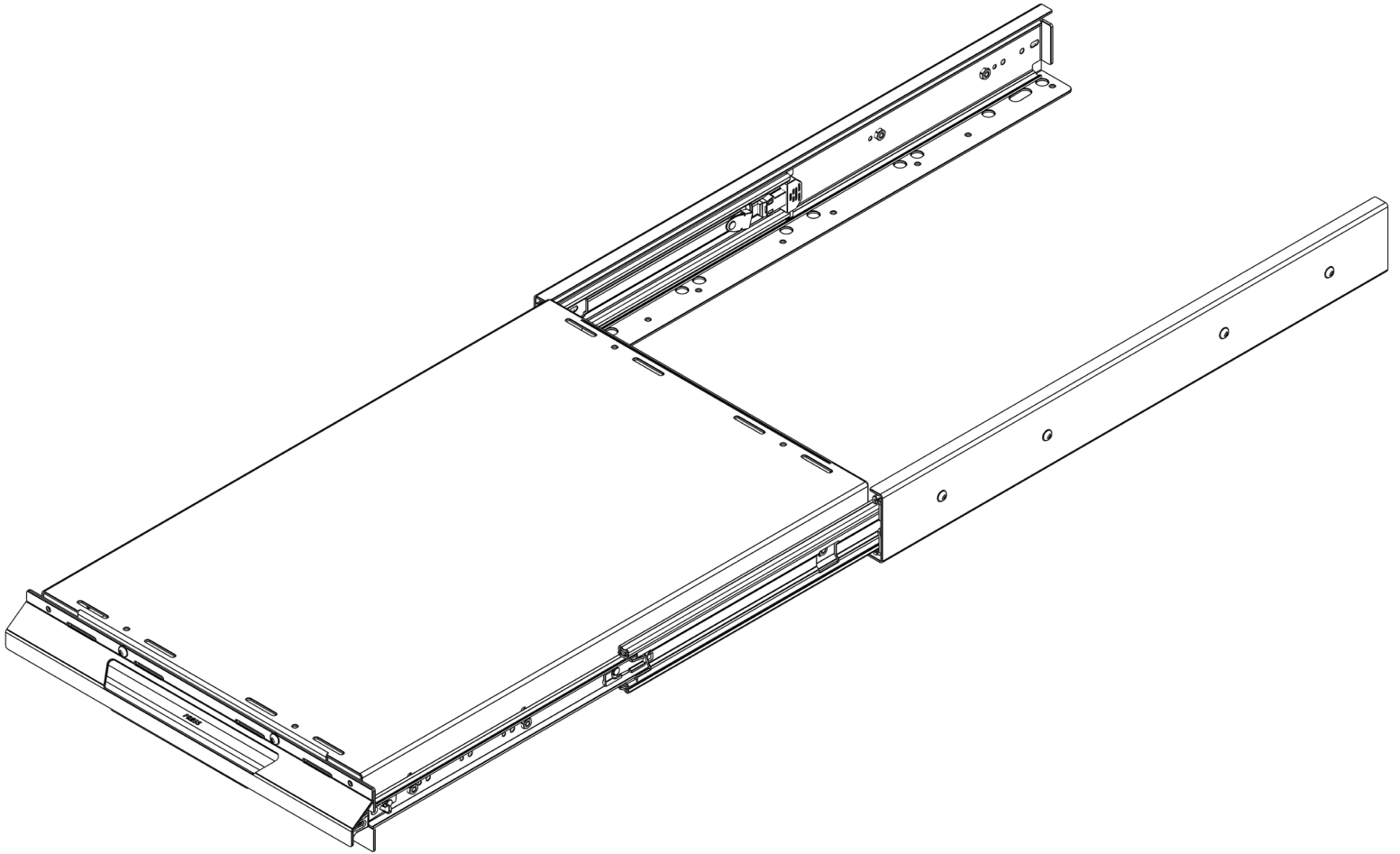
ASSEMBLY

7. Once the handle is assembled, you now need to place the cover over the assembly using (6) each of the provided button heads, washers and flange nuts. This is also the step you need to remove the hardware from step 5 if your tray is facing upright, and then place back over the cover piece. Assemble in the orientation shown below.



ASSEMBLY

8. Now that your fridge slide is fully assembled, you are now ready to place your fridge and strap it down using the handles on the fridge and through the slots on the front and back of the tray piece.



This installation guide shows how to assemble one fridge slide assembly, but the possibilities are endless! Check out the product page for inspiration on how to maximize your space by using a combination of Off-Grid Drawers and our Off-Grid Fridge Slide!