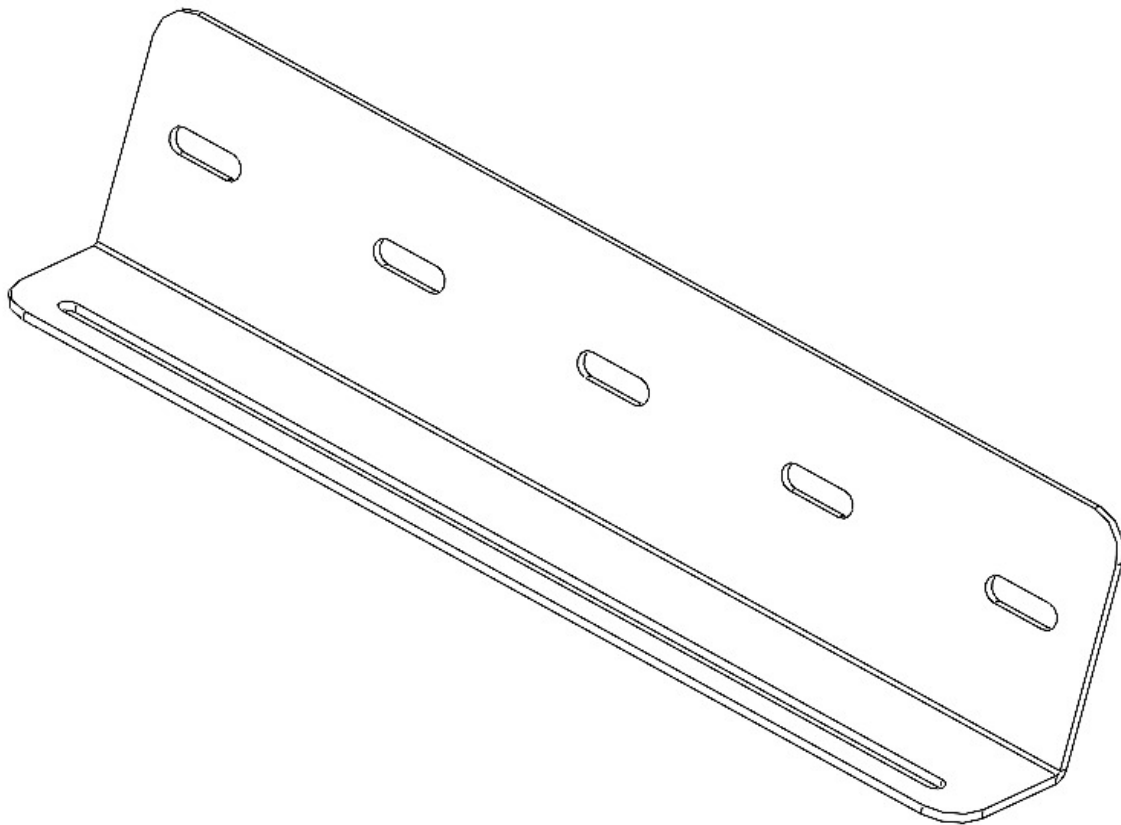




ROOF RACK SIDE ACCESSORY MOUNT

INSTALL INSTRUCTIONS



Please read the mounting instructions below carefully before attempting to install.

Be sure to check out the install video on the product page, if available.

Thank you for purchasing from JcROffroad! Checkout our website, www.jcroffroad.com for other great off-road products. Be sure to rate and review our product online. If you have any questions or are missing parts, please don't hesitate to call us at 269-353-1184!

INCLUDED HARDWARE

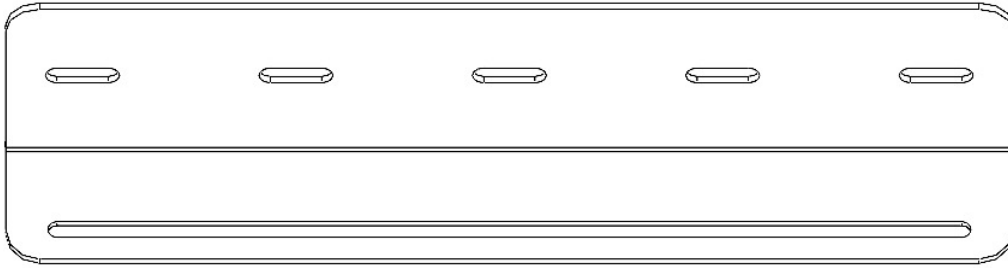
INCLUDED BOLT PACK(S) N/A

Note: Some Victory 4x4/JCR Offroad/SquatchProof products share hardware kits. Any extra hardware you may receive that is not listed below can be repurposed or discarded.

N/A

INCLUDED PARTS

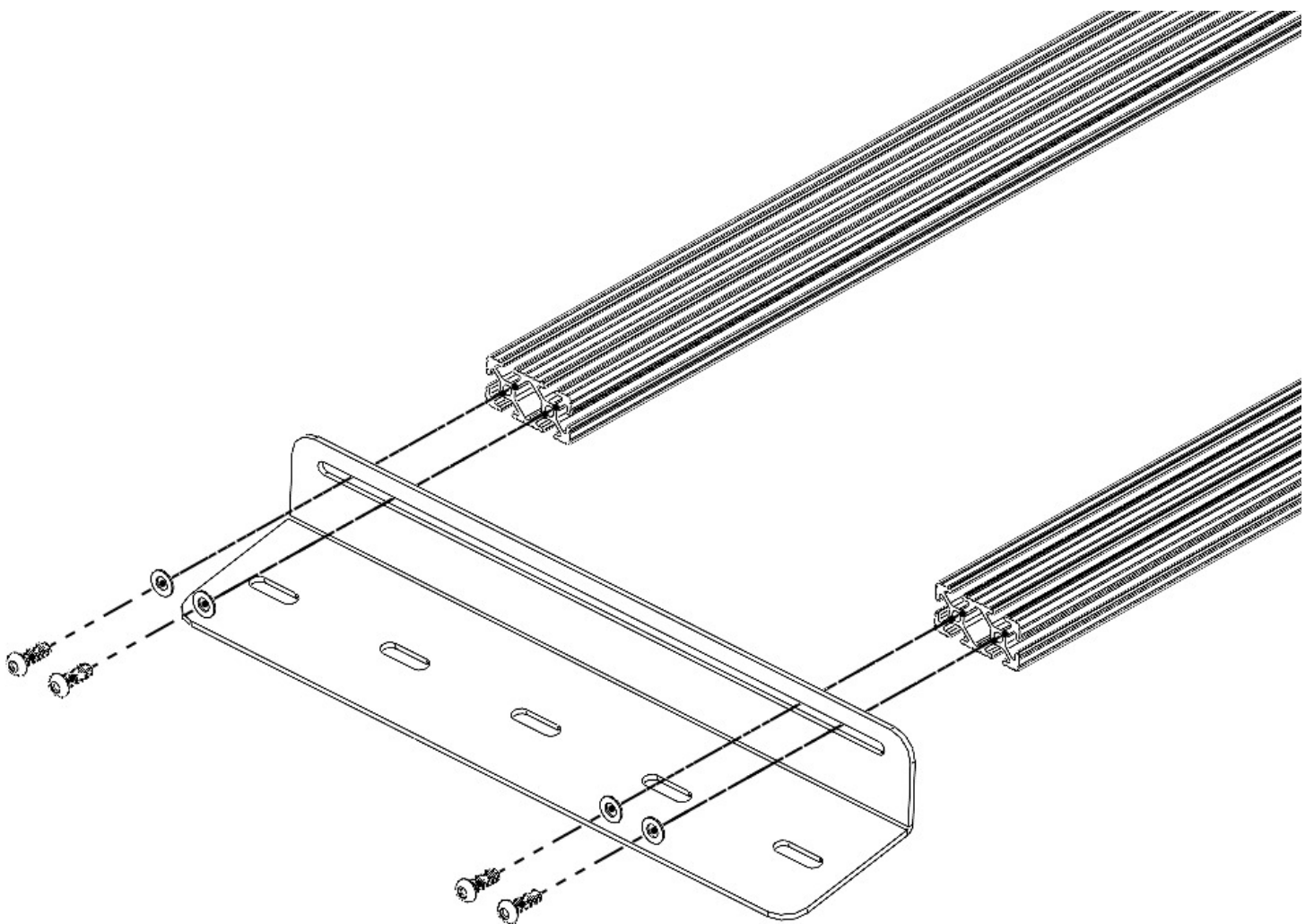
1x



Accessory Mount

INSTALLATION

- 1.** To install, choose the location on your rack where you want to mount your accessory mount, it must mount to (2) of your crossbars. Remove the (4) 1/4"-20 bolts that are threaded into the crossbars (2 from each).
- 2.** Once the hardware is removed, bolt your accessory mount onto your rack in the same location using the same hardware that was removed, as shown in the orientation below.



INSTALLATION

- 3.** You can adjust your mount left to right on the slot to get it in the position you want, once in position make sure to tighten down all (4) of your bolts to complete your install. You are now equipped with an accessory mount to mount Quick-fist mounts or any gear you may have!

