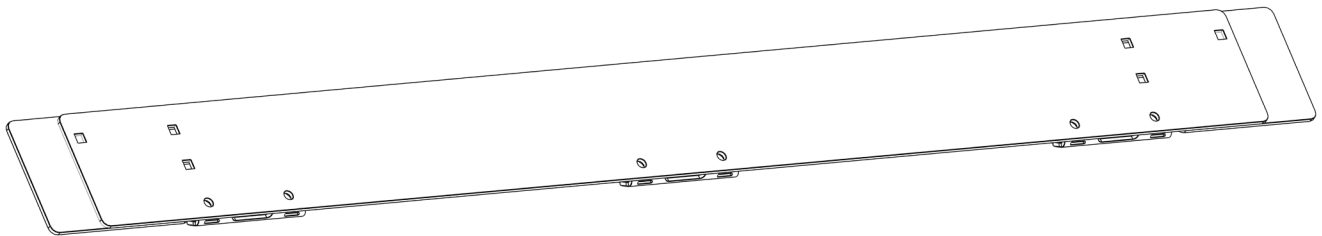




# UNIVERSAL ROOF RACK TENT FAIRING

## INSTALL INSTRUCTIONS



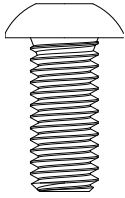
**Please read the mounting instructions below carefully before attempting to install.**

**Be sure to check out the install video on the product page, if available.**

Thank you for purchasing from JcROffroad! Checkout our website, [www.jcroffroad.com](http://www.jcroffroad.com) for other great off-road products. Be sure to rate and review our product online. If you have any questions or are missing parts, please don't hesitate to call us at 269-353-1184!

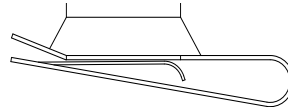
# INCLUDED HARDWARE

6x



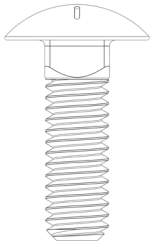
5/16"-18-3/4"  
Button Head

6x



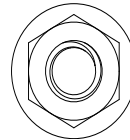
5/16"-18  
U-Nut

6x



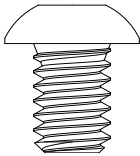
5/16"-18 1" Long  
Carriage Bolt

6x



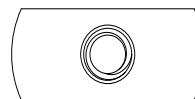
5/16"-18 Serr  
Flange Nut

6x



1/4"-20 3/8" Long  
Stainless Steel Button Head

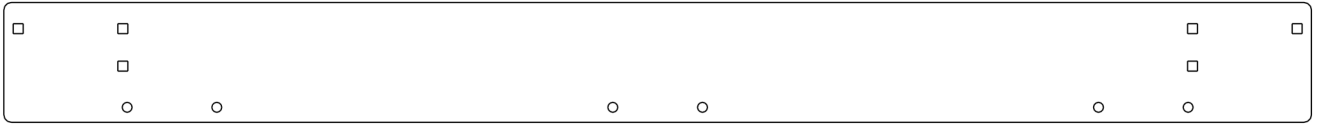
6x



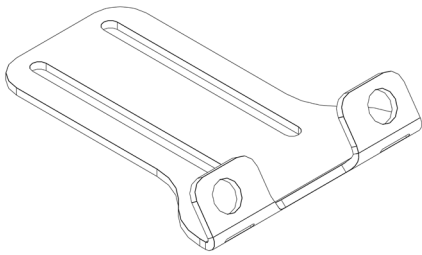
1/4"-20 Thread  
T-Nut

# INCLUDED PARTS

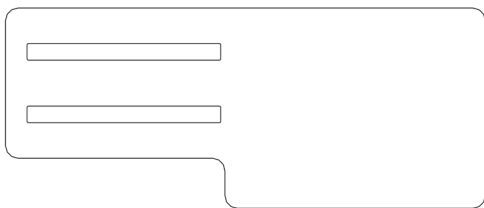
1x



3x

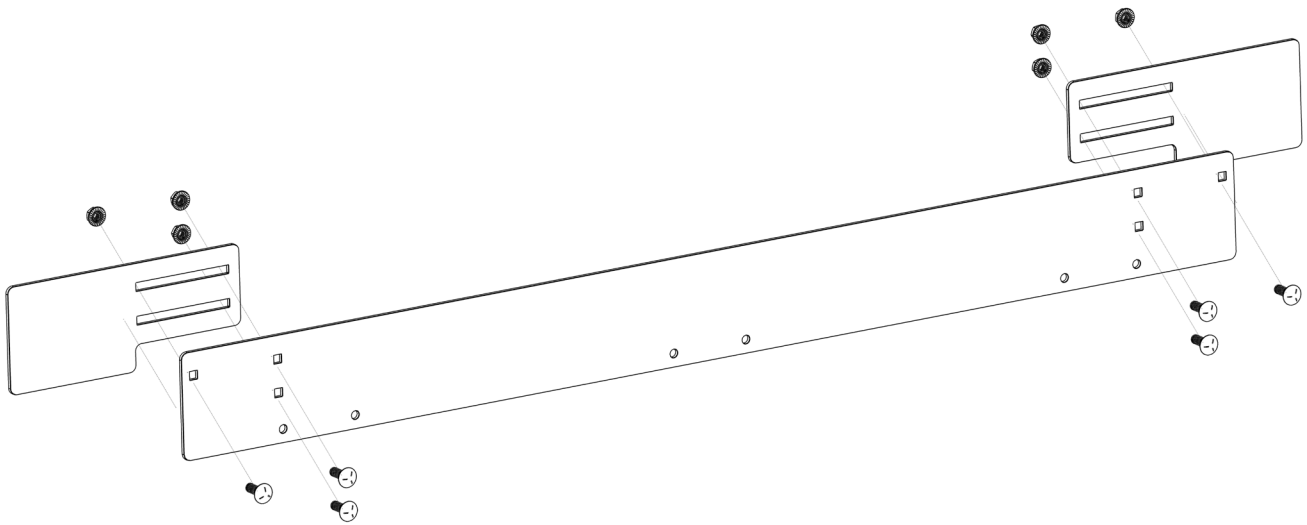


2x

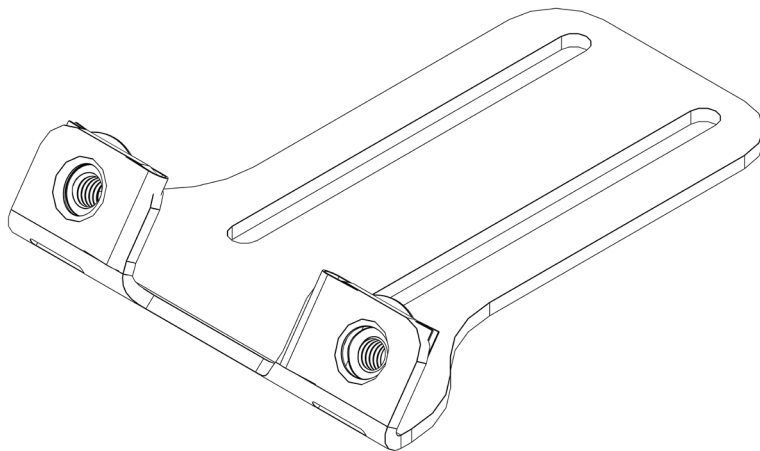


# ASSEMBLY

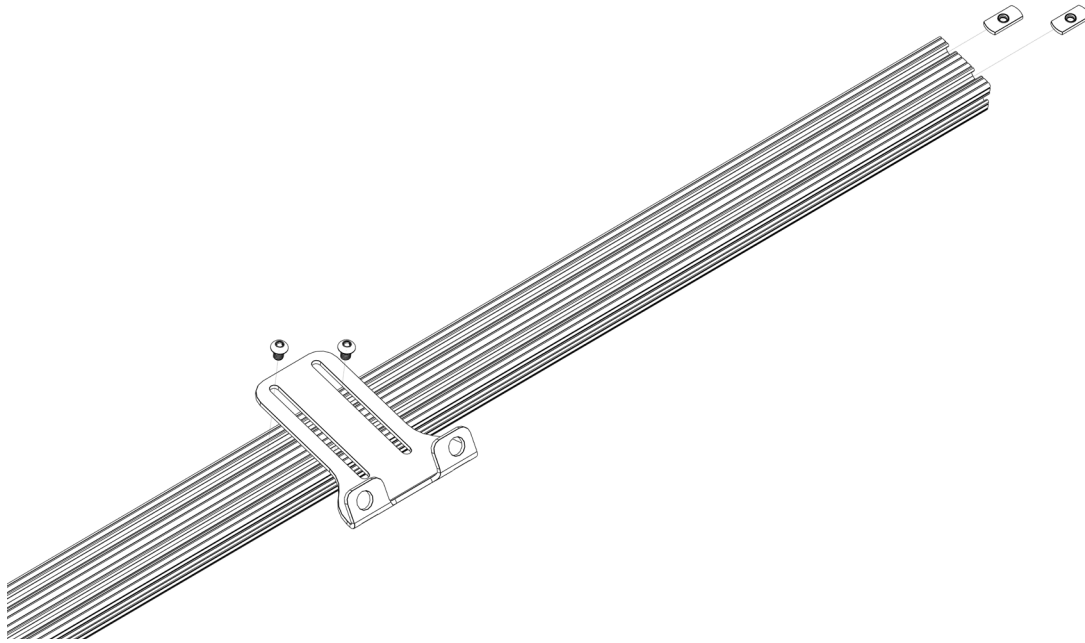
1. Start with assembling the (3) fairing pieces using the provided carriage bolts and 5/16" flange nuts as shown in the orientation below. You will need to adjust the width according to your vehicle using the slots on the smaller brackets. At any width adjustment less than 54", the outer most carriage bolts will need to be omitted on both sides. For 44" wide racks, you will omit the side brackets entirely. Be sure to install the bolts in the empty holes still to avoid wind noise.



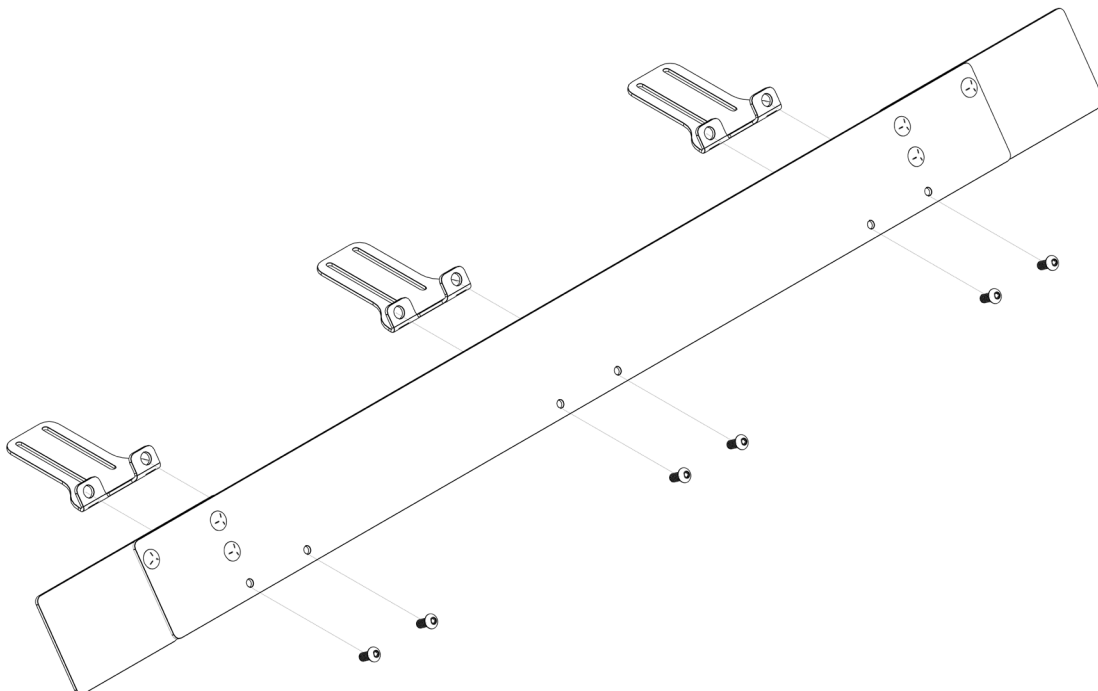
2. Take the (3) smaller brackets and place the (6) provided clip nuts over the holes in the orientation as shown below. Once the clip nuts are in place, take the (3) brackets and loosely install them to the closest crossbar in front of your tent using the provided T-nuts and 1/4" button head bolts, as shown below.



# ASSEMBLY



3. Once your (3) brackets are loosely installed, you can then secure the fairing previously assembled to them using the provided longer 5/16" button heads into the clip nuts, as shown below. You may need to adjust the distance in-between the brackets so all the holes line up to the fairing.



# ASSEMBLY

4. Once all of the hardware is started, go back and fully tighten down and secure the brackets to the crossbar and make sure the rest of the hardware is tight to finish the install.

