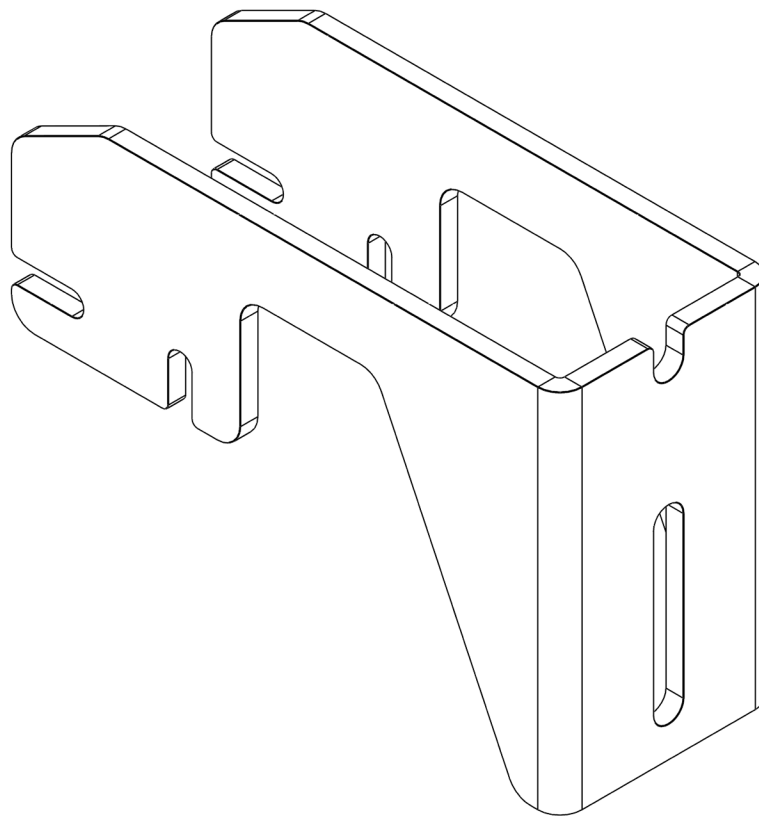




# ROOF RACK AWNING MOUNT

## INSTALL INSTRUCTIONS



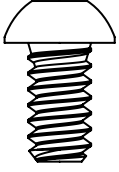
**Please read the mounting instructions below carefully before attempting to install.**

**Be sure to check out the install video on the product page, if available.**

Thank you for purchasing from JcROffroad! Checkout our website, [www.jcroffroad.com](http://www.jcroffroad.com) for other great off-road products. Be sure to rate and review our product online. If you have any questions or are missing parts, please don't hesitate to call us at 269-353-1184!

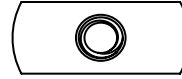
# INCLUDED HARDWARE

8x



1/4"-20 X 3/8"  
Button Head

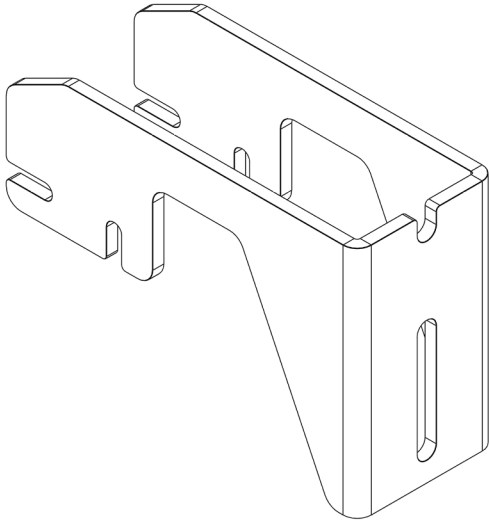
8x



1/4"-20  
T-Nut

# INCLUDED PARTS

2x



# INSTALLATION

1. Start by sliding (2) of the provided T-nuts into the slots on each of the smaller sides of the crossbar. If you have already installed the crossbar into your roofrack, you will need to take the bolts out of that end in order to be able to lift it out enough to slide the T-nuts in. Then place the awning mount over the cross bar and bolt it into the T-nuts using the provided 1/4"-20 X 3/8" button heads. Once you have one of the mounts installed, repeat this same process for the other at the correct distance for your awning. You may need adjust the position of the cross bars to fit your awning.

