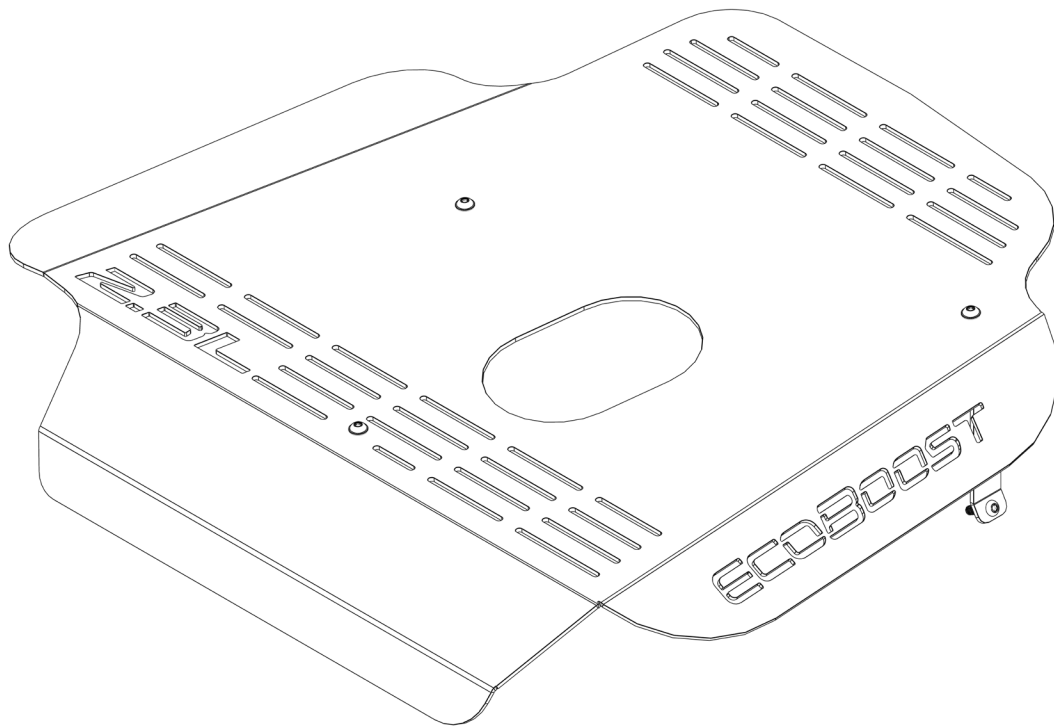




# 6TH GEN BRONCO 2.3L ENGINE COVER

## INSTALL INSTRUCTIONS



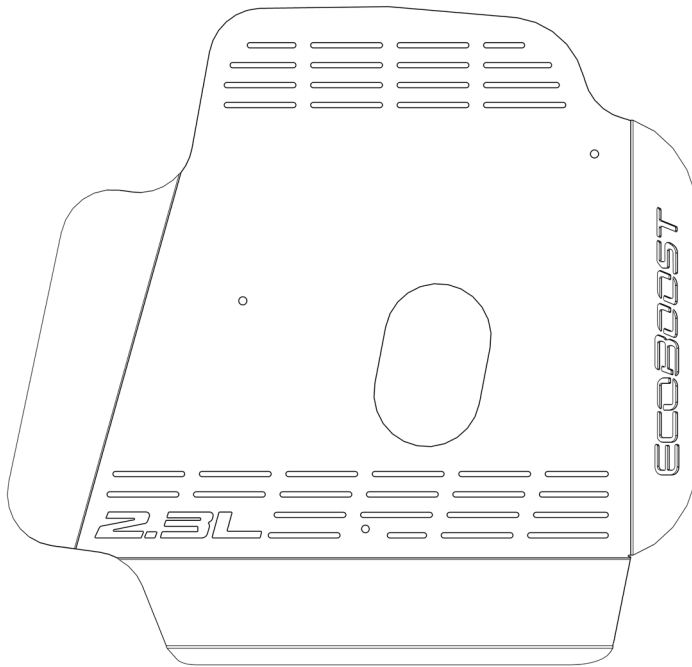
**Please read the mounting instructions below carefully before attempting to install.**

**Check out the install video on the product page for more detailed information.**

Thank you for purchasing from JcRoffroad! Checkout our website, [www.jcroffroad.com](http://www.jcroffroad.com) for other great off-road products. Be sure to rate and review our product online. If you have any questions or are missing parts, please don't hesitate to call us at 269-353-1184!

# INCLUDED PARTS

1x

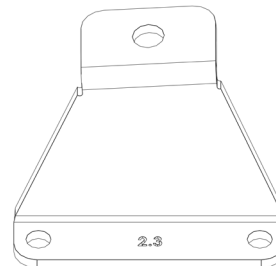


1x



Bracket #1

1x



Bracket #2

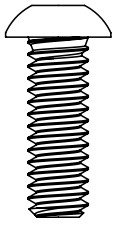
1x



Bracket #3

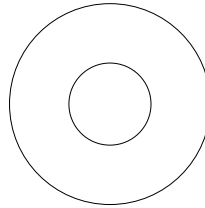
# INCLUDED HARDWARE

3x



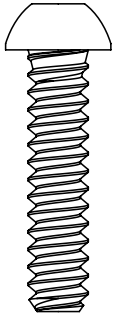
Black Stainless  
1/4"-20 x 3/4"  
Button Head

3x



1/4" Passivated  
Washer

4x



Stainless M6 x 1mm  
Button Head 25mm

# ASSEMBLY

1. To begin, you are going to install the three mounting brackets into the engine. You're going to start with bracket #1, the short skinny of the three. Place the bracket in the location and orientation shown below, using a stainless M6 button head bolt thread into the factory threaded stand off. Tighten with a 4mm hex, making sure the bracket faces toward the back the whole time.



# ASSEMBLY

2. Next, you're going to install bracket #2, the triangle shape of the three. Again, place the bracket in the location and orientation shown below, and install two of the provided stainless M6 button head bolts into the factory threaded stand offs. Tighten with a 4mm hex, making sure the top PEM flange is facing out towards the passenger side of the vehicle.



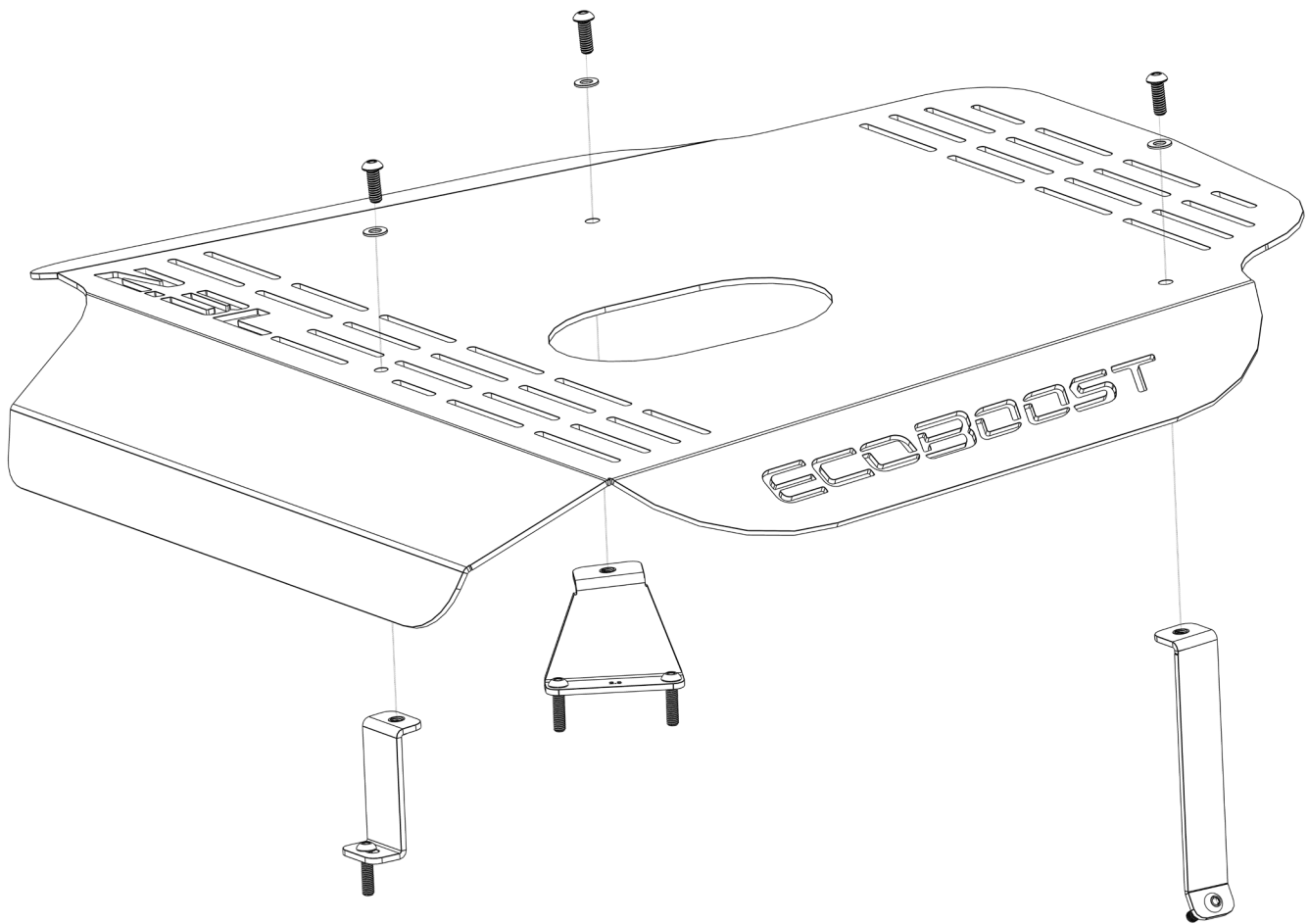
# ASSEMBLY

3. Now bracket #3 is ready to be installed, the longest of the three. Again, place the bracket in the location and orientation shown below. Before installing there is a factory 6mm hex head bolt that must be removed with a 8mm socket. After that is removed, install a provided stainless M6 hex head bolt. Tighten with an 4mm hex, making sure the top PEM flange should be facing the passenger side of the vehicle while keeping the bracket straight.



# ASSEMBLY

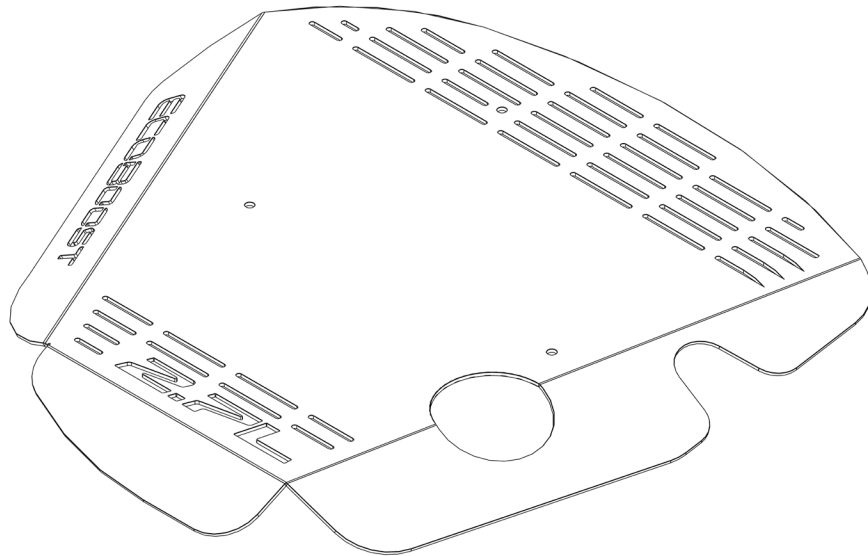
4. Finally, after all three mounting brackets are installed and tightened, place the engine cover on top of the brackets, lining up the three mounting holes, and loosely fasten them into place using the provided black 1/4"-20 button heads and stainless washers. Once they are all loosely installed, snug all bolts with a 5/32" hex wrench.





# 6TH GEN BRONCO 2.7L ENGINE COVER

## INSTALL INSTRUCTIONS



**Please read the mounting instructions below carefully before attempting to install.**

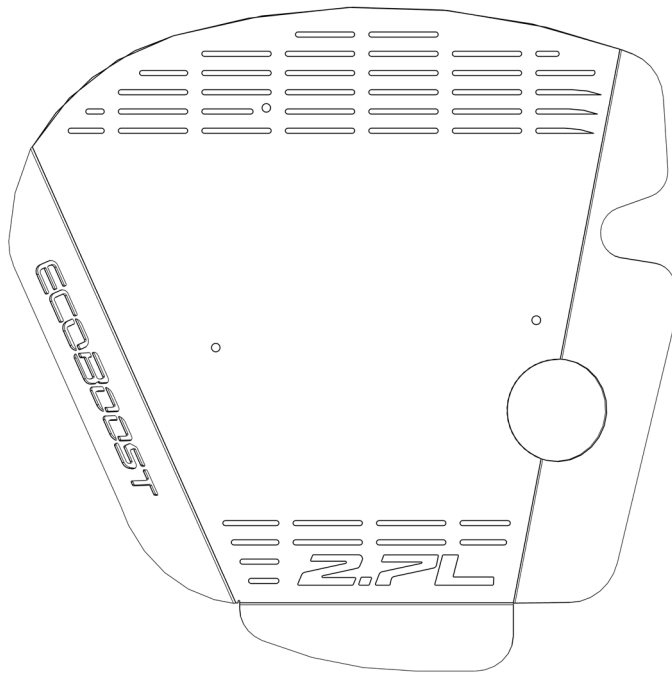
**Check out the install video on the product page for more detailed information.**

Thank you for purchasing from JcROffroad! Checkout our website, [www.jcroffroad.com](http://www.jcroffroad.com) for other great off-road products. Be sure to rate and review our product online. If you have any questions or are missing parts, please don't hesitate to call us at 269-353-1184!



# INCLUDED PARTS

1x



1x



Bracket #1

1x



Bracket #2

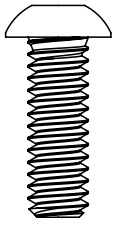
1x



Bracket #3

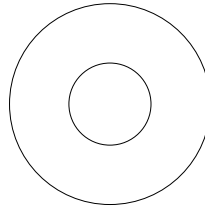
# INCLUDED HARDWARE

3x



Black Stainless  
1/4"-20 x 3/4"  
Button Head

3x



1/4" Passivated  
Washer

3x



Stainless M6 x 1mm  
Button Head 25mm

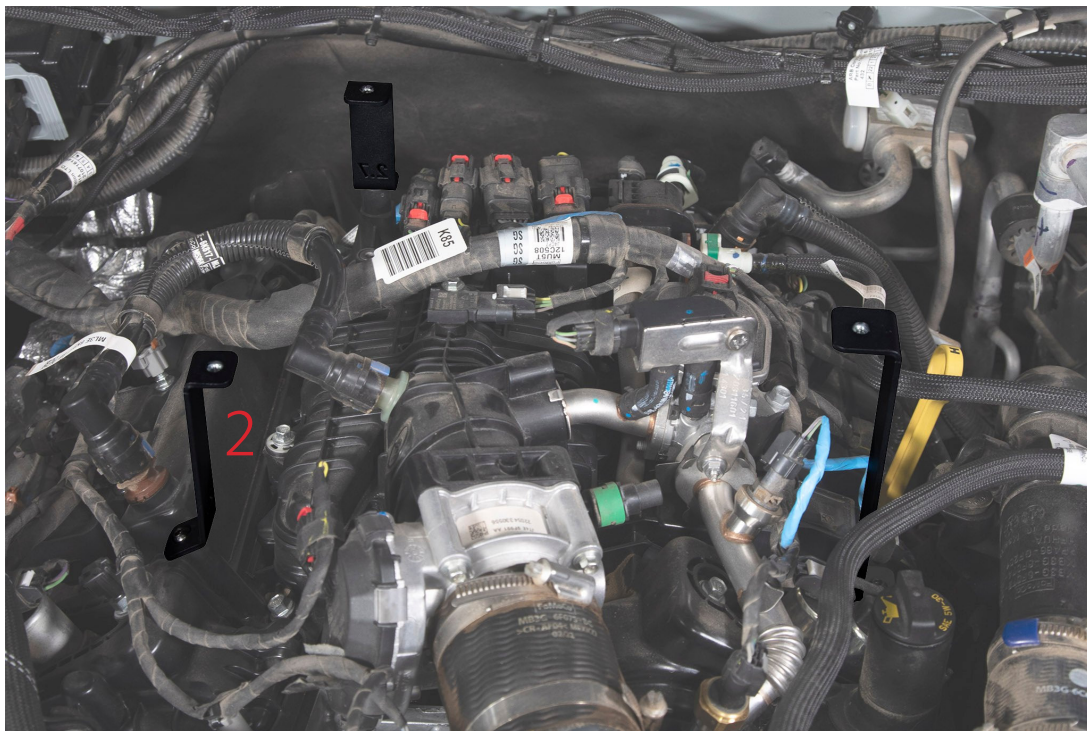
# ASSEMBLY

- 1.** To begin, you are going to install the three mounting brackets into the engine. You're going to start with bracket #1, the shortest of the three. Place the bracket in the location and orientation shown below, and install a provided stainless M6 button head bolt into the factory threaded stand off. Tighten with a 4mm hex making sure the bracket faces forward the whole time.



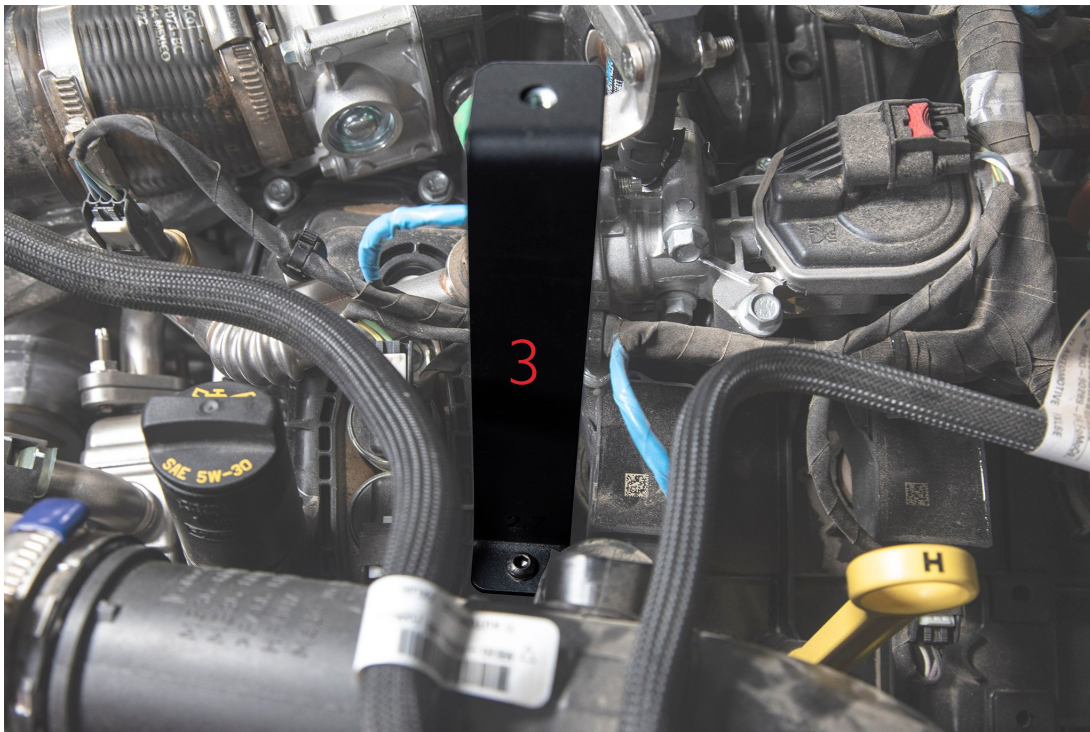
# ASSEMBLY

2. Next, you're going to install bracket #2, the mid length of the three. Again, place the bracket in the location and orientation shown below, and install a provided stainless M6 button head bolt into the factory threaded stand off. Tighten with a 4mm hex, making sure the top PEM flange is facing towards the driver side of the vehicle.



# ASSEMBLY

3. Now bracket #3 is ready to be installed, the longest of the three. Again, place the bracket in the location and orientation shown below, and install a provided stainless M6 button head bolt into the factory threaded stand off. Tighten with a 4mm hex, making sure the top PEM flange should be facing the passenger side of the vehicle while keeping the bracket straight.



# ASSEMBLY

4. Finally, after all three mounting brackets are installed and tightened, place the engine cover on top of the brackets, lining up the three mounting holes, and loosely fasten them into place using the provided black 1/4"-20 button heads and stainless washers. Once they are all loosely installed, snug all bolts with a 5/32" hex wrench.

