



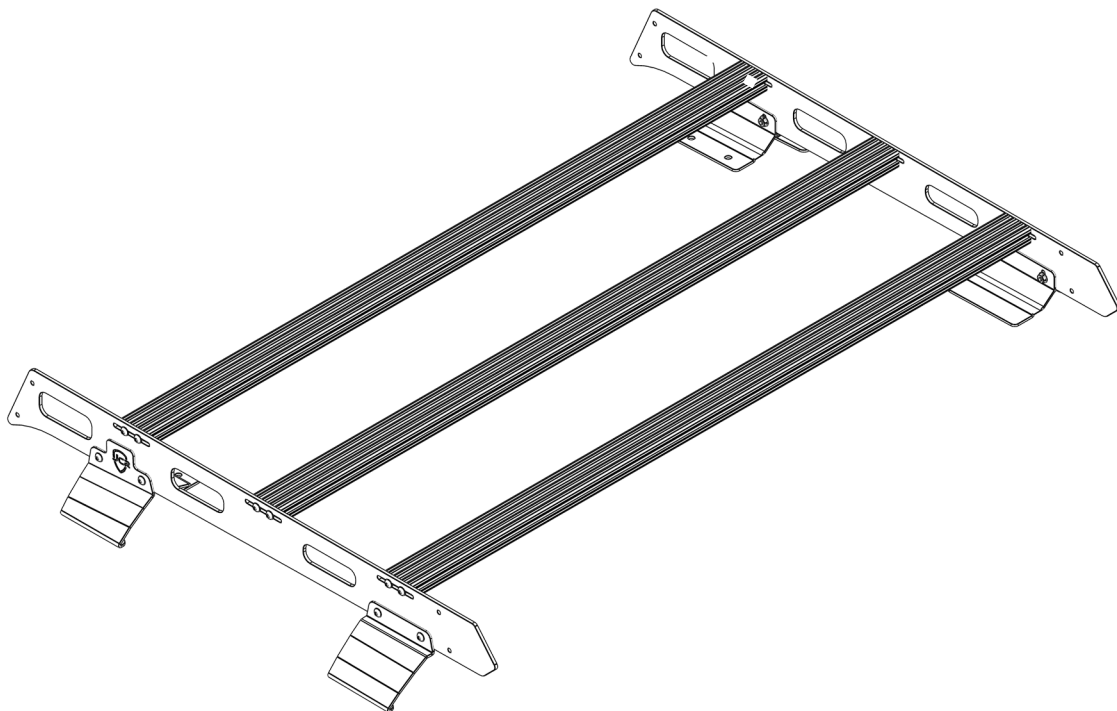
TABLE OF CONTENTS

6TH GEN BRONCO 4 DOOR SHORT RACK.....	2
6TH GEN BRONCO 2 DOOR SHORT RACK.....	9



6TH GEN BRONCO 4 DOOR HARD TOP SHORT RACK

INSTALL INSTRUCTIONS



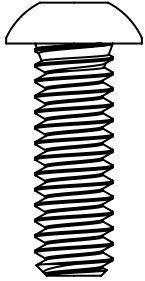
Please read the mounting instructions below carefully before attempting to install.

Check out the install video on the product page for factory rack disassembly.

Thank you for purchasing from JcROffroad! Checkout our website, www.jcroffroad.com for other great off-road products. Be sure to rate and review our product online. If you have any questions or are missing parts, please don't hesitate to call us at 269-353-1184!

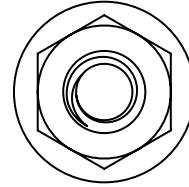
INCLUDED HARDWARE

20x



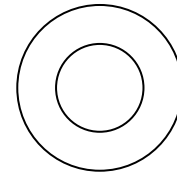
1/4"-20 X 3/4"
Button Head

8x



1/4"-20
Serr. Flange Nut

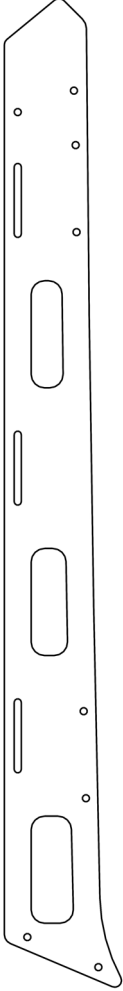
20x



1/4" ID
Washer

INCLUDED PARTS

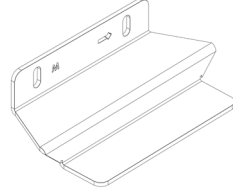
2x



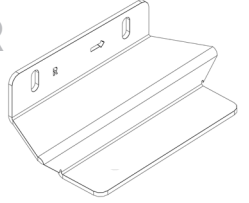
3x



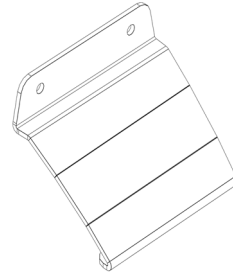
1L/1R



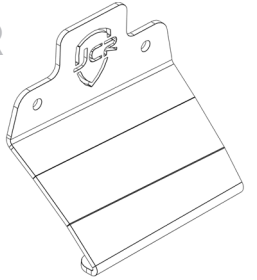
1L/1R



1L/1R

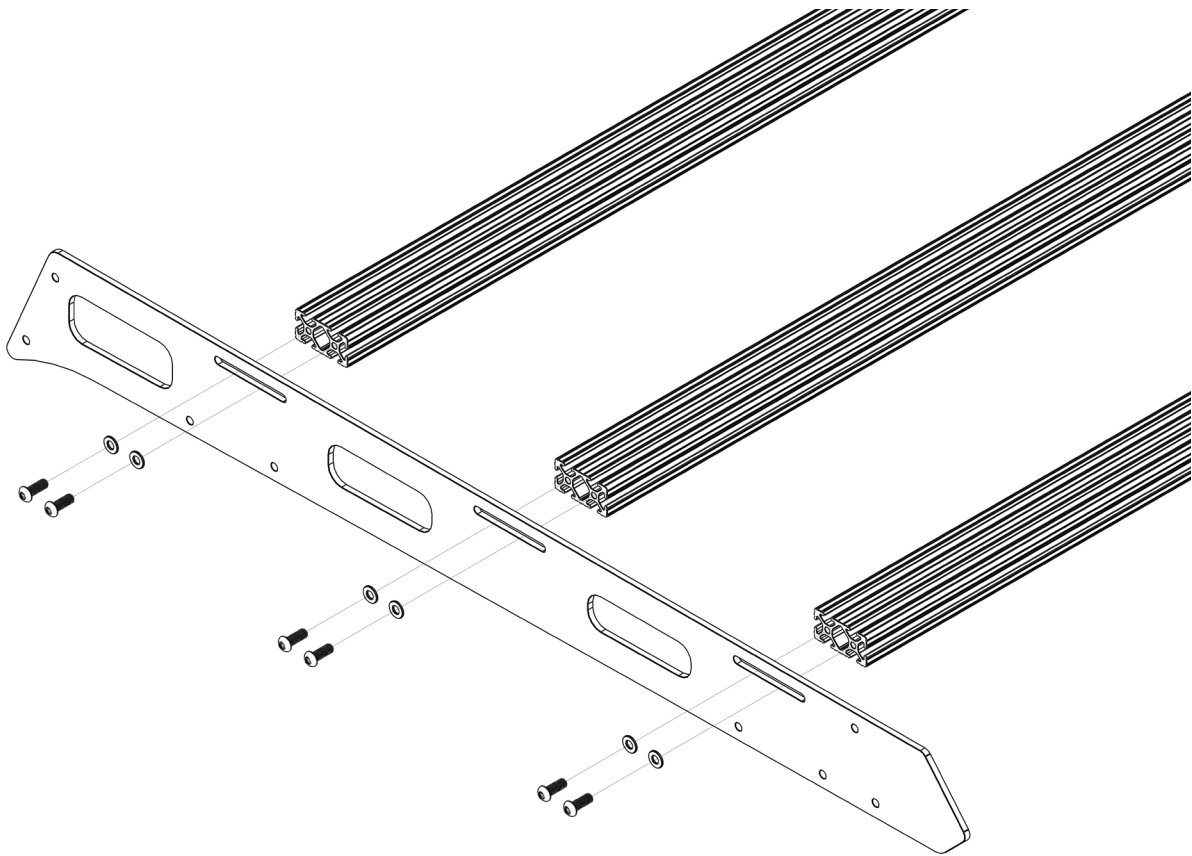


1L/1R



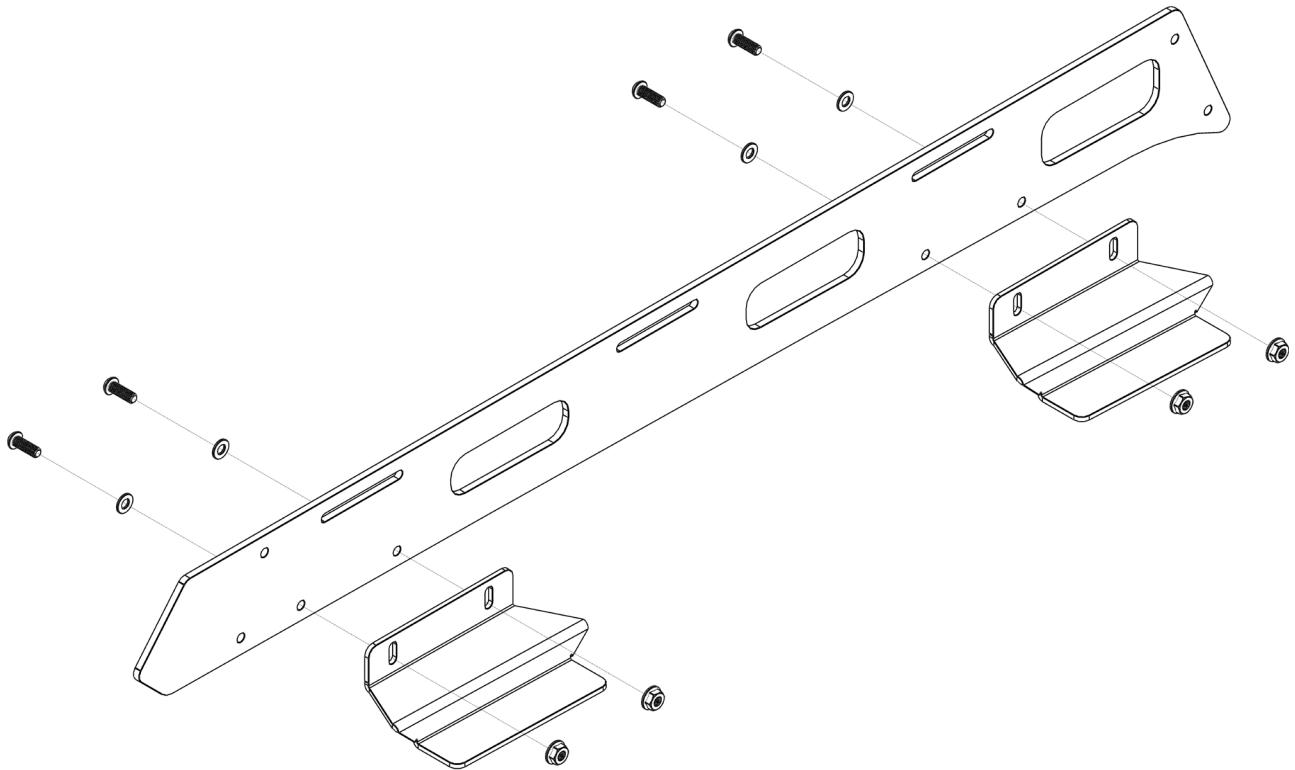
ASSEMBLY

- 1 Start by mounting three crossbars between the side rails. For this, use the 1/4"-20 X 3/4" button head bolts and the 1/4" ID washers (2 per bar per side). Make sure the machined slot in the rail of the crossbar is facing up so you can easily add t-nuts to mount your gear.



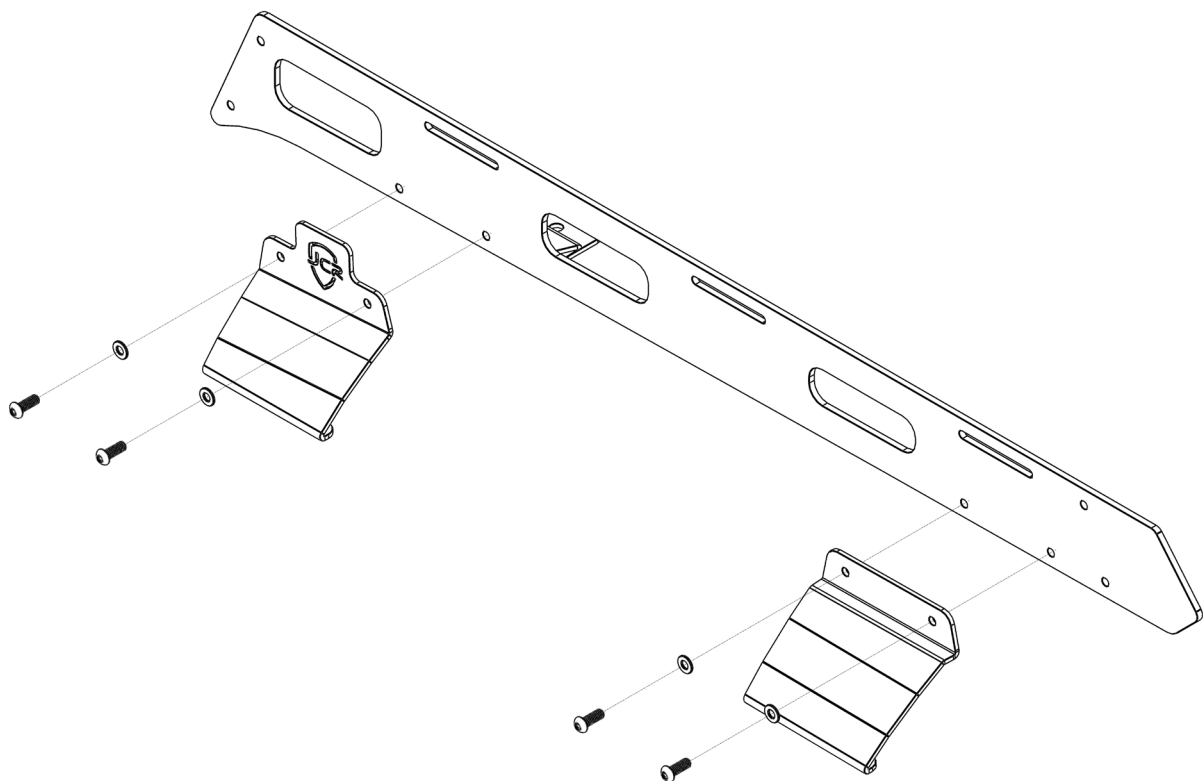
ASSEMBLY

- 2** Next, find the inner mounts labeled M and R. The inner mounts are the ones with the sharper angles. Apply one of the provided rubber sheets to the bottom of each of them, making sure that the rubber hugs the bracket tightly across the entire bottom. For visual aid on this step, check out 1:55 in the instruction video at the bottom of the rack's product page.
- 3** Once the rubber is on each mount, loosely attach them to the inside of the side rails using the 1/4"-20 X 3/4" button head bolts, 1/4" ID washers and 1/4"-20 serr. flange nuts. The mounts labeled R go towards the rear (the flatter side) and the mounts labeled M go towards the front. Each mount should have an arrow pointing towards the front. With the mounts in place, set the rack on the hard top with each mount sitting flat in the indentations on the hard top.

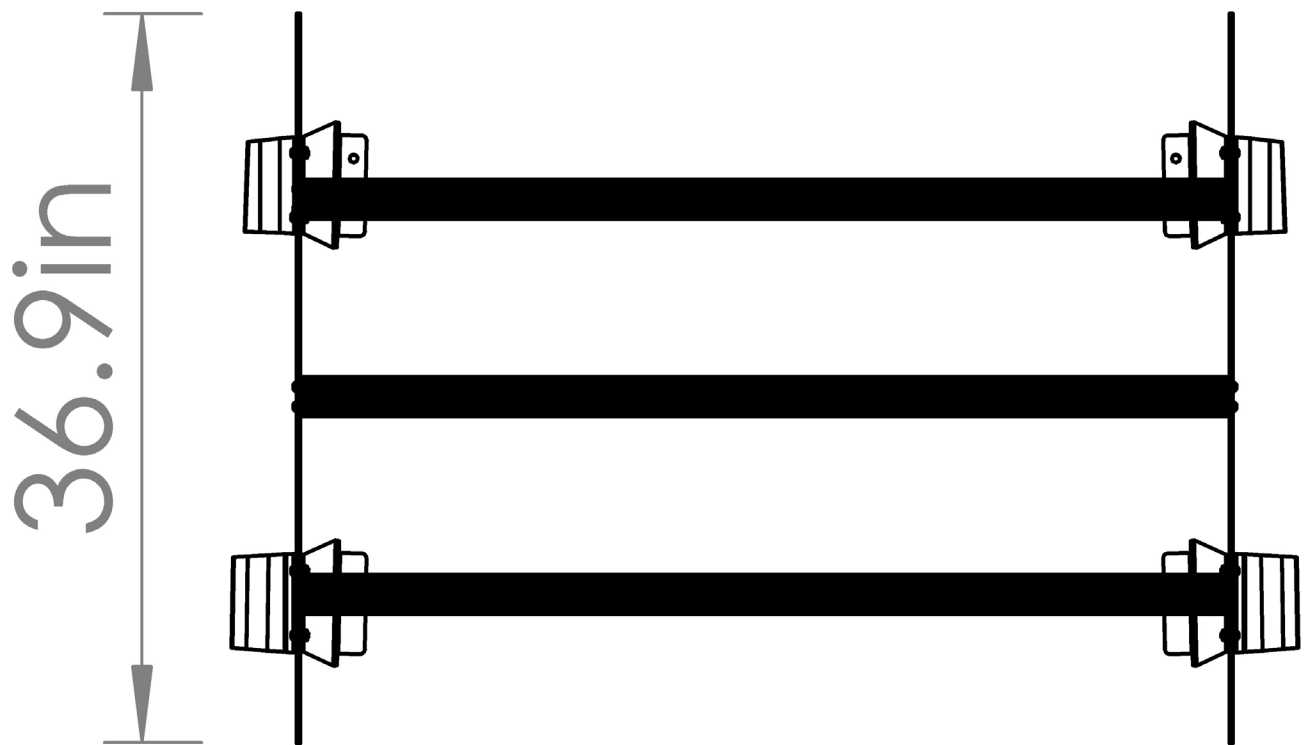
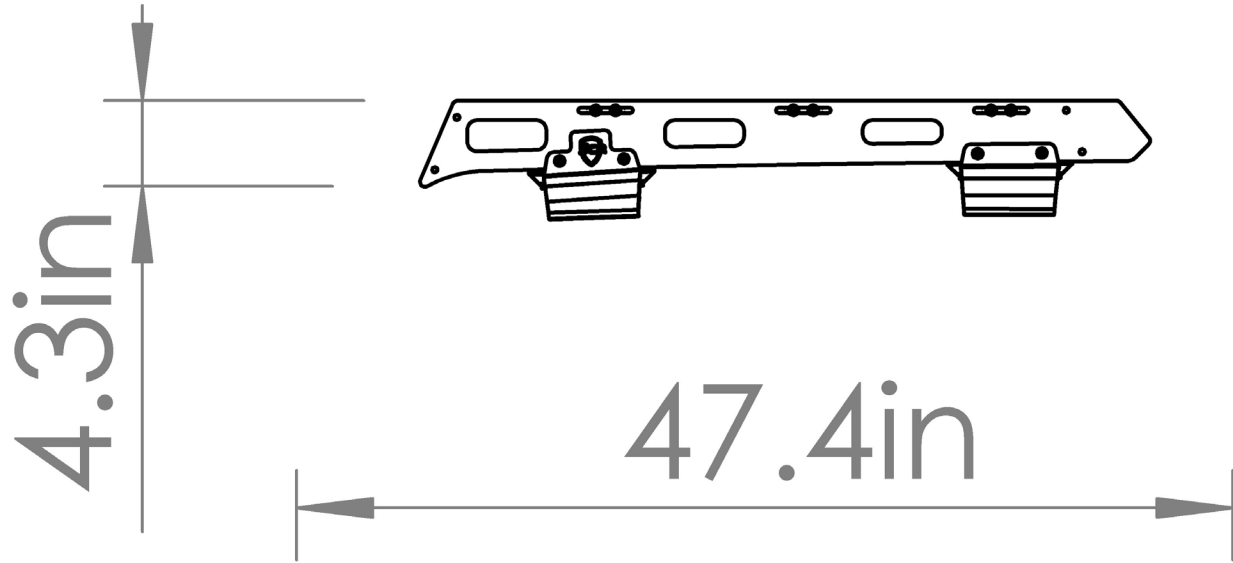


ASSEMBLY

- 4** Next, find the outer R and M mounts and apply the remaining rubber sheets the bottom of each, similar to the inner mounts. Be sure to cover the top of the hook flange as well. For visual aid on this step, check out 5:20 in the instruction video at the bottom of the rack's product page.
- 5** Once the rubber is in place, remove the hardware holding the inner mounts in place and loosely install the outer mounts using that hardware. They mount to the outside of the side rails through the same holes as the inner mounts and the bottom hook flange slides into the cutouts in the side of the hardtop above the windows. It is easiest to do this one at a time with a rag under the corner of the rack that isn't being supported by a mount. That way there is no risk of the rack scratching the roof surface. The mounts labeled R go together and the mounts labeled M go together. The arrows should be pointing towards the front. Once everything is loosely in place, go back and tighten all the hardware while making sure that the inner mounts are pushed down tight to the surface of the roof.



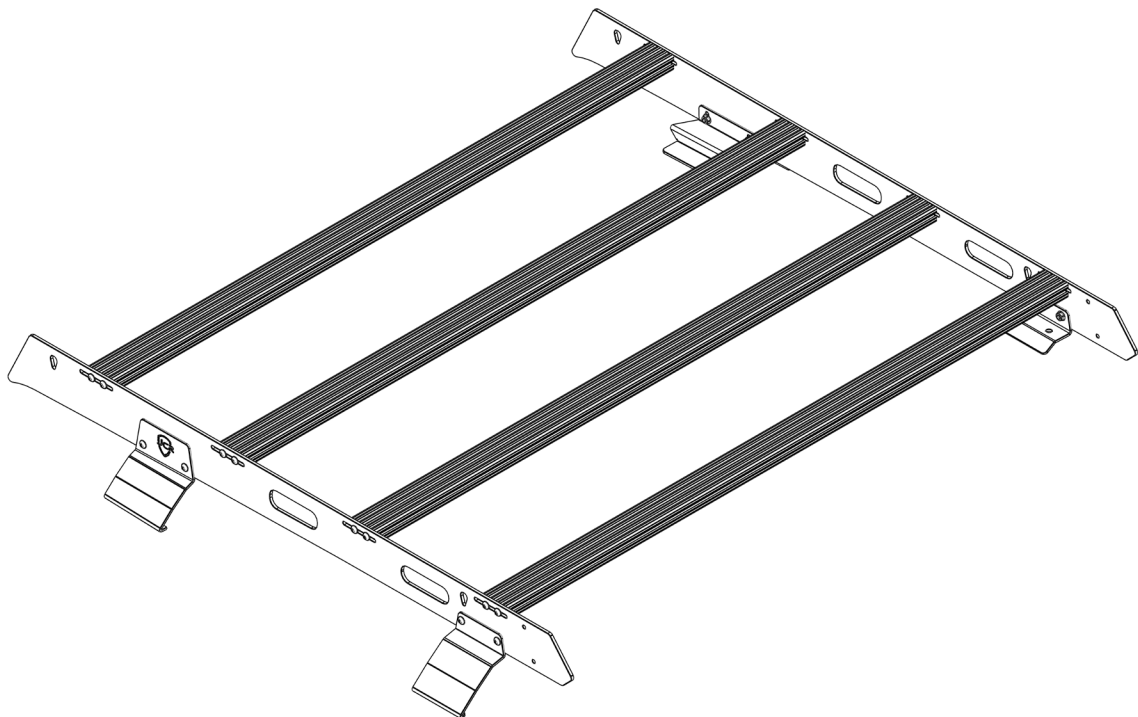
DIMENSIONS





6TH GEN BRONCO 2 DOOR HARD TOP SHORT RACK

INSTALL INSTRUCTIONS



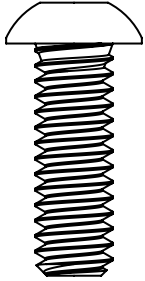
Please read the mounting instructions below carefully before attempting to install.

Check out the install video on the product page for factory rack disassembly.

Thank you for purchasing from JcROffroad! Checkout our website, www.jcroffroad.com for other great off-road products. Be sure to rate and review our product online. If you have any questions or are missing parts, please don't hesitate to call us at 269-353-1184!

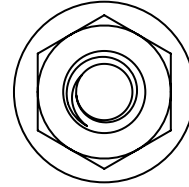
INCLUDED HARDWARE

24x



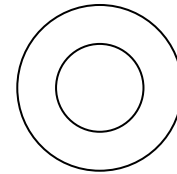
1/4"-20 X 3/4"
Button Head

8x



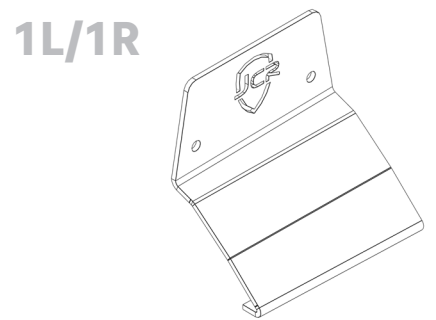
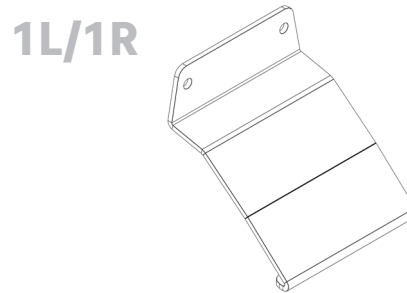
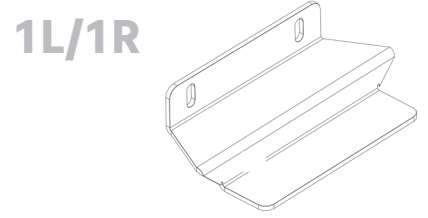
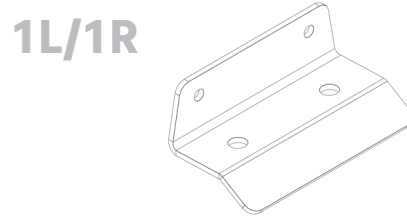
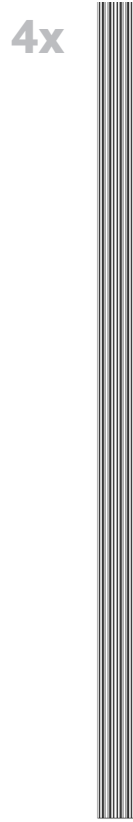
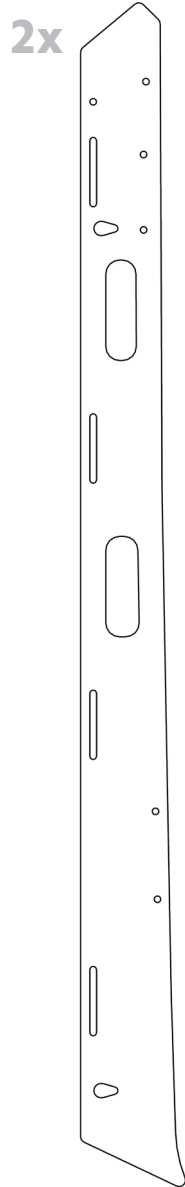
1/4"-20
Serr. Flange Nut

24x



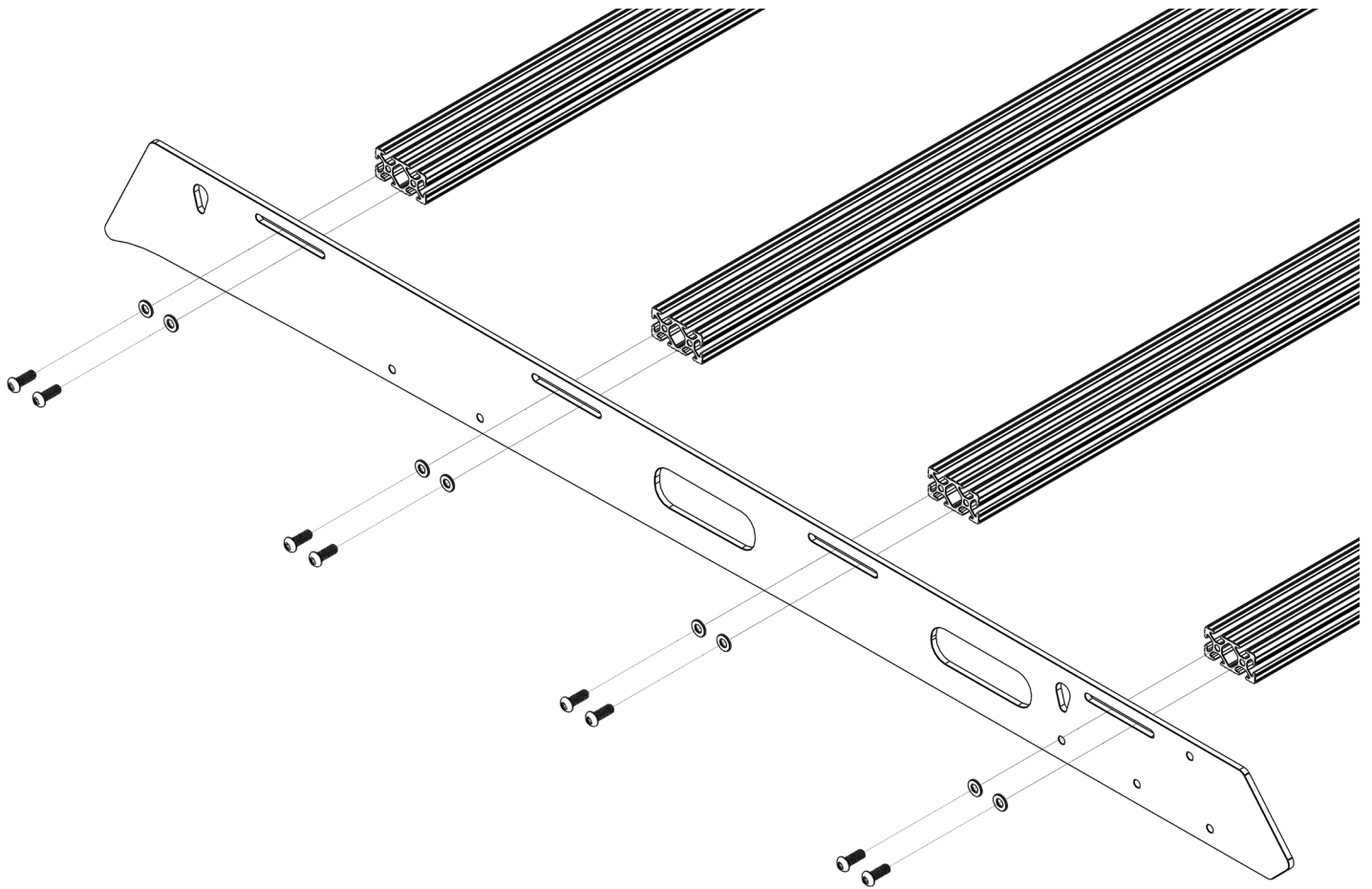
1/4" ID
Washer

INCLUDED PARTS



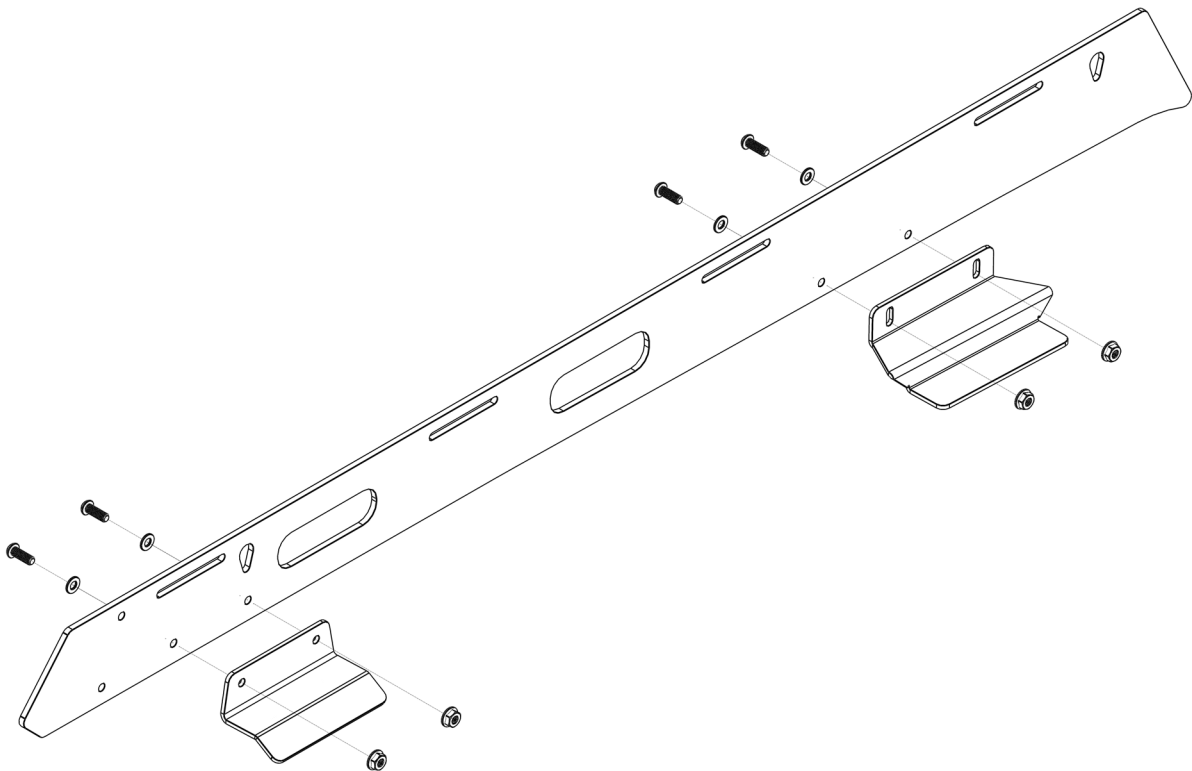
ASSEMBLY

- 1 Start by mounting four crossbars between the side rails. For this, use the 1/4"-20 X 3/4" button head bolts and the 1/4" ID washers (2 per bar per side). Make sure the machined slot in the rail of the crossbar is facing up so you can easily add t-nuts to mount your gear.



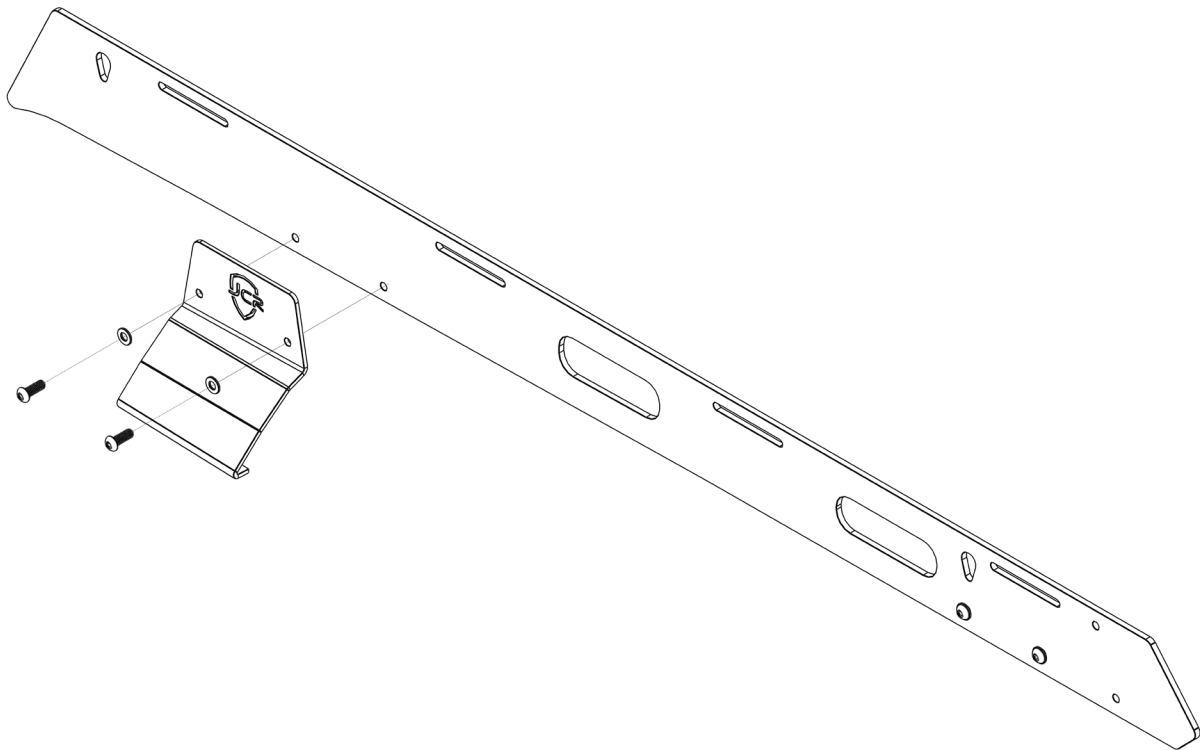
ASSEMBLY

- 2** Next, find the inner mounts labeled R and M. The inner mounts are the ones with the sharper angles. Apply one of the provided rubber sheets to the bottom of each of them, making sure that the rubber hugs the bracket tightly across the entire bottom. For visual aid on this step, check out 1:55 (R) and 19:20 (M) in the instruction video at the bottom of the rack's product page.
- 3** Once the rubber is on each mount, loosely attach them to the inside of the side rails using the 1/4"-20 X 3/4" button head bolts, 1/4" ID washers and 1/4"-20 serr. flange nuts. The R mounts go towards the rear. Each mount should have an arrow pointing towards the front. With the mounts in place, set the rack on the hard top with each R mount sitting flat in the indentations on the hard top.



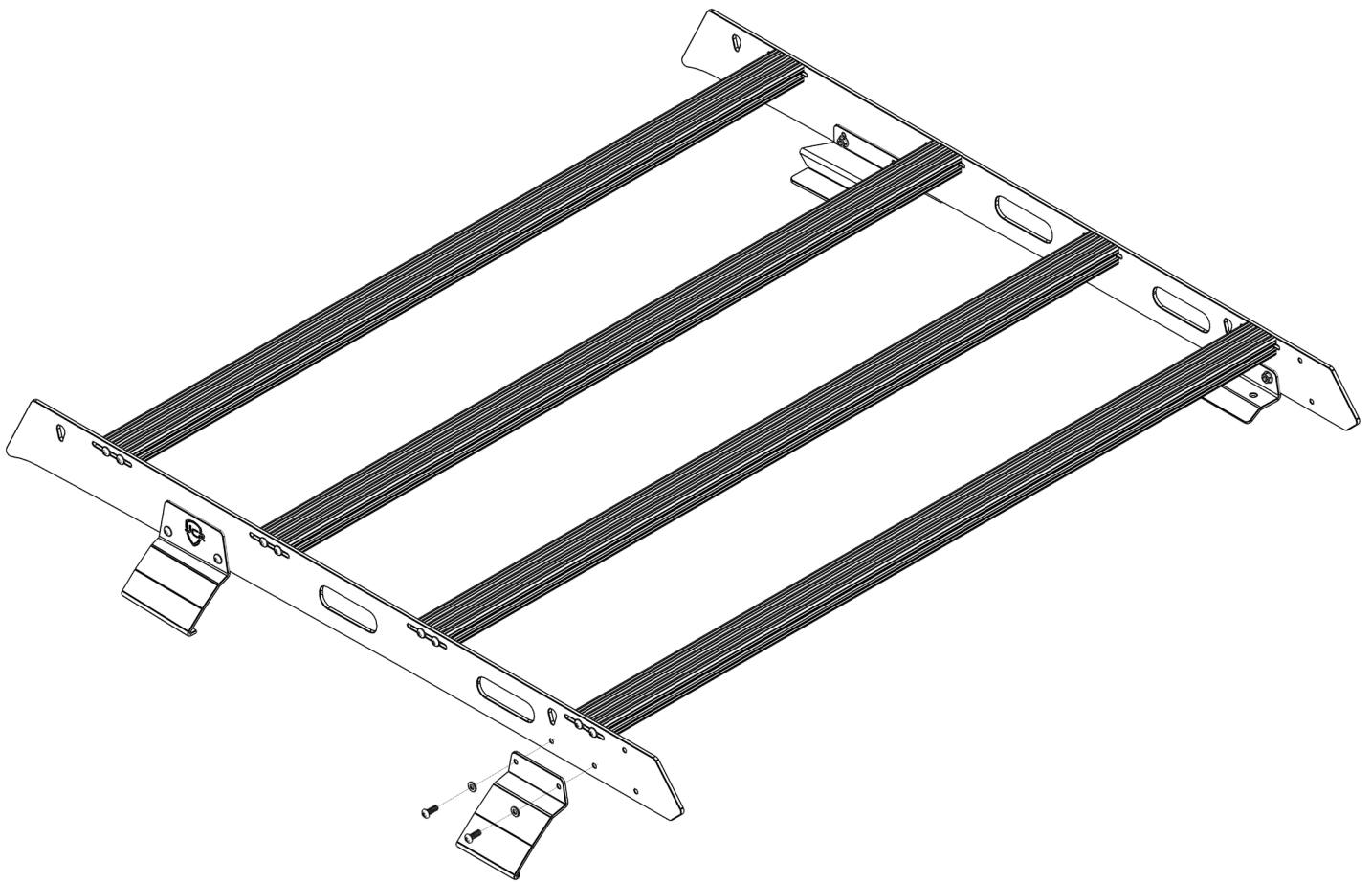
ASSEMBLY

- 4** Next, find the outer R mounts and attach more of the rubber sheets the bottom of each, similar to the inner mounts. Be sure to cover the top of the hook portion as well. For visual aid on this step, check out 5:20 in the instruction video at the bottom of the rack's product page.
- 5** Once the rubber is in place, remove the hardware holding the inner R mounts in place and loosely install the outer R mounts using that hardware. They mount to the outside of the side rails through the same holes as the inner mounts and the bottom hook flange slides into the cutouts in the side of the hardtop above the windows. The arrows should be pointing towards the front. Once everything is loosely in place, tighten them fully while making sure that the inner mounts are pushed down tight to the surface of the roof.



ASSEMBLY

- 15** Finally, with the rack secured into position, find the outer M mounts and attach the remaining rubber sheets the bottom of each. On these mounts, do not cover the hooked portion with the rubber because it will not fit into position if you do so. For visual aid on this step, check out 18:50 in the instruction video at the bottom of the rack's product page. You can then bolt them onto the rack using the hardware that is holding the inner M mounts in place. Make sure to slip the hooked portion of the mounts into the small slot in the hardtop, similar to the way the R mounts install, except without the extra cutout to locate it. The arrows should point towards the front of the vehicle.



DIMENSIONS

