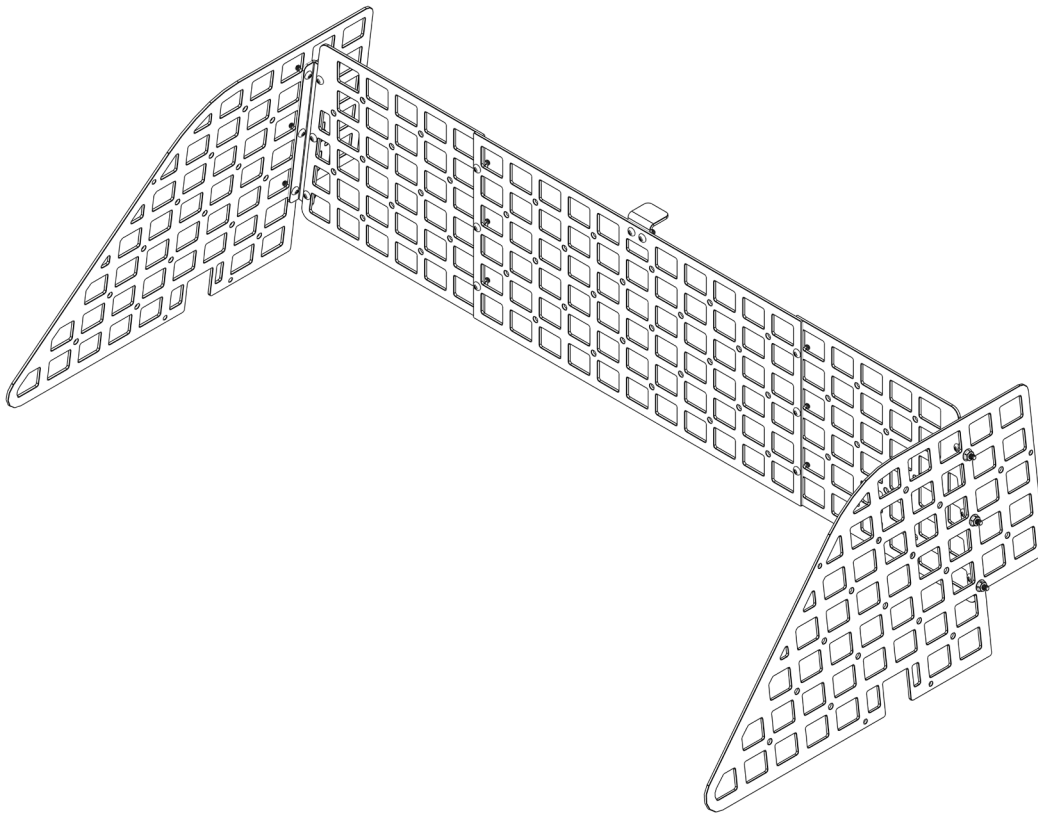




# 6TH GEN BRONCO CARGO DIVIDER

## INSTALL INSTRUCTIONS



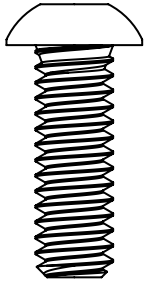
**Please read the mounting instructions below carefully before attempting to install.**

**Be sure to check out the install video on the product page, if available.**

Thank you for purchasing from JcROffroad! Checkout our website, [www.jcroffroad.com](http://www.jcroffroad.com) for other great off-road products. Be sure to rate and review our product online. If you have any questions or are missing parts, please don't hesitate to call us at 269-353-1184!

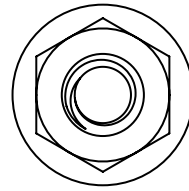
# INCLUDED HARDWARE

20x



1/4"-20 X 3/4"  
Button Head

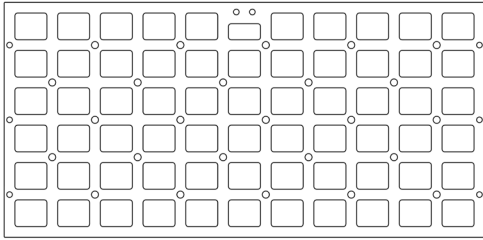
20x



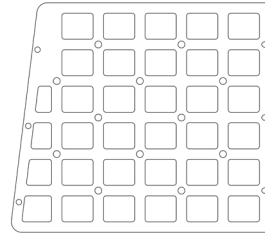
1/4"-20  
Flange Nut

# INCLUDED PARTS

1x



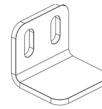
2x



2x

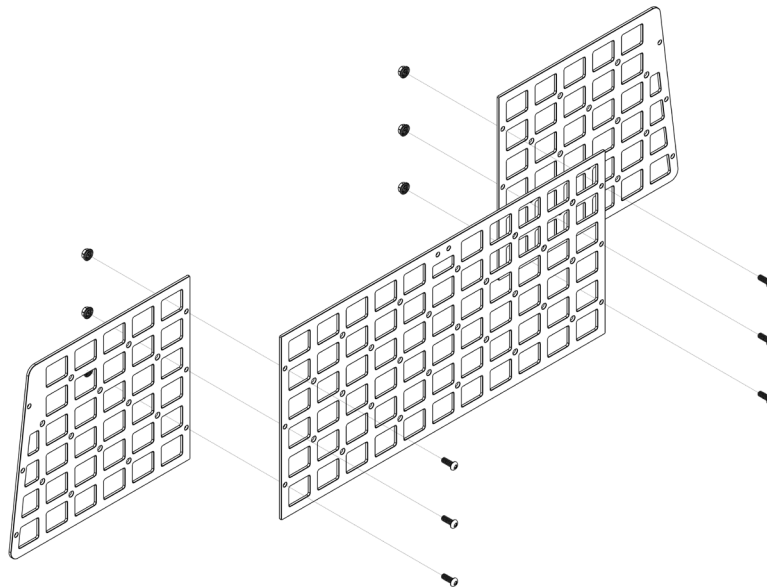


1x

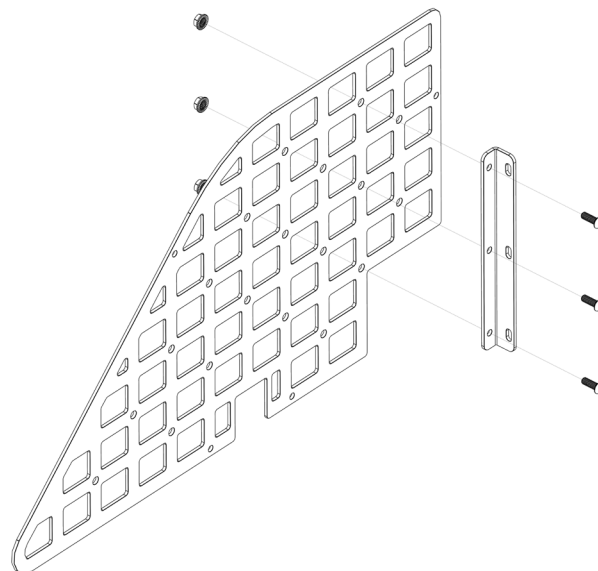


# ASSEMBLY

- 1 Start by assembling the three panels together. Set the middle panel over the two outer panels and bolt them together using the provided hardware.

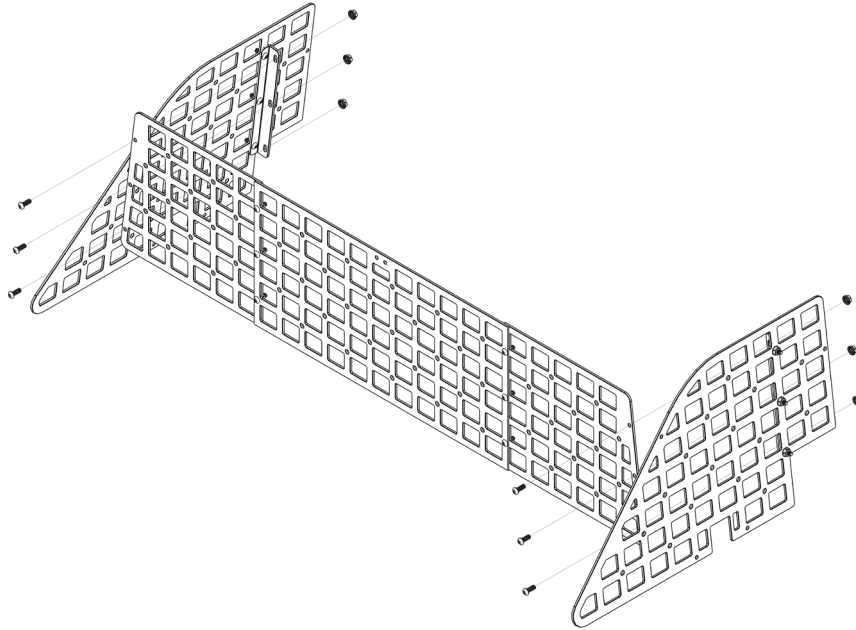


- 2 Next, mount the side brackets to your rear MOLLE panels using the provided hardware. The face with the holes should be against the rear MOLLE panel and the face with the slots should be towards the front of the vehicle.



# ASSEMBLY

- 3 Once the panels are assembled and the brackets are mounted, loosely bolt the panels to the brackets.



- 4 Next, stick the 3M adhesive to the top of the small bracket and install the bracket into the two holes in the top of the middle panel as shown below. Once it is installed, lift the panels up as high as they go so the adhesive sticks the bracket to the roof of the vehicle. Then, while still holding it there, tighten all the hardware into place.

