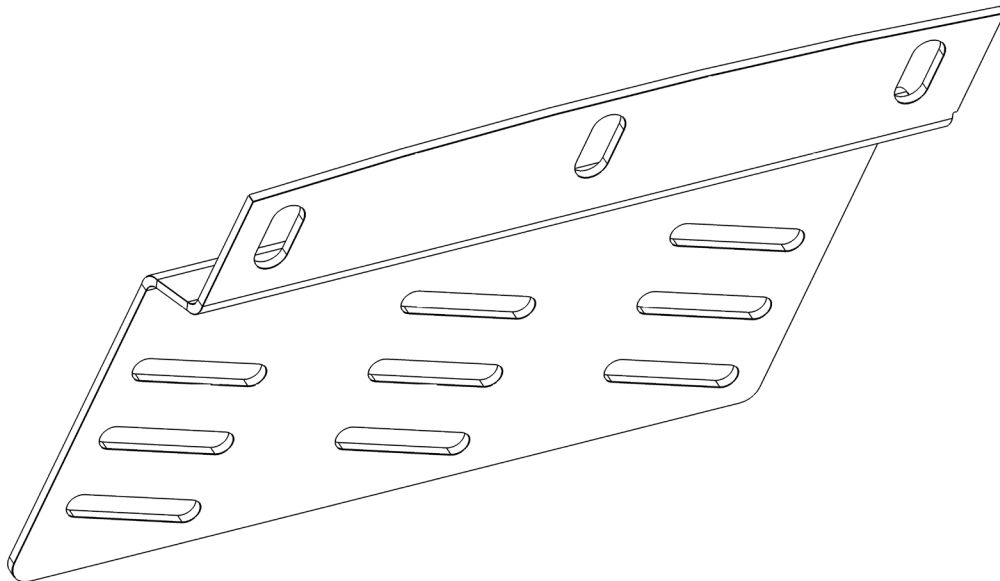




# 6TH GEN BRONCO FOG LIGHT BRACKET

## INSTALL INSTRUCTIONS



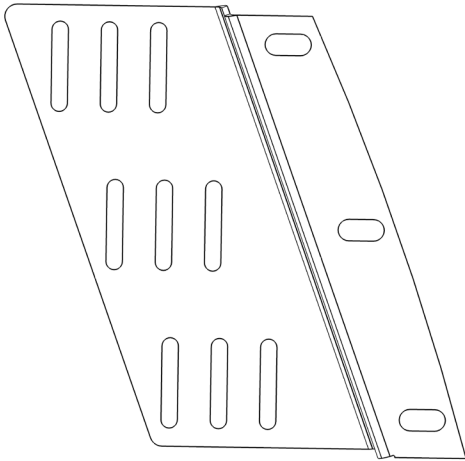
**Please read the mounting instructions below carefully before attempting to install.**

**Be sure to check out the install video on the product page, if available.**

Thank you for purchasing from JcROffroad! Checkout our website, [www.jcroffroad.com](http://www.jcroffroad.com) for other great off-road products. Be sure to rate and review our product online. If you have any questions or are missing parts, please don't hesitate to call us at 269-353-1184!

# INCLUDED PARTS

1L/1R



# ASSEMBLY

- 1 To install the fog light brackets, simply remove the three bolts in the top of each of the wing cutouts and then use them to mount the bracket as shown below. The brackets should be installed so that the light mounting slots are parallel to the front face of the bumper.

