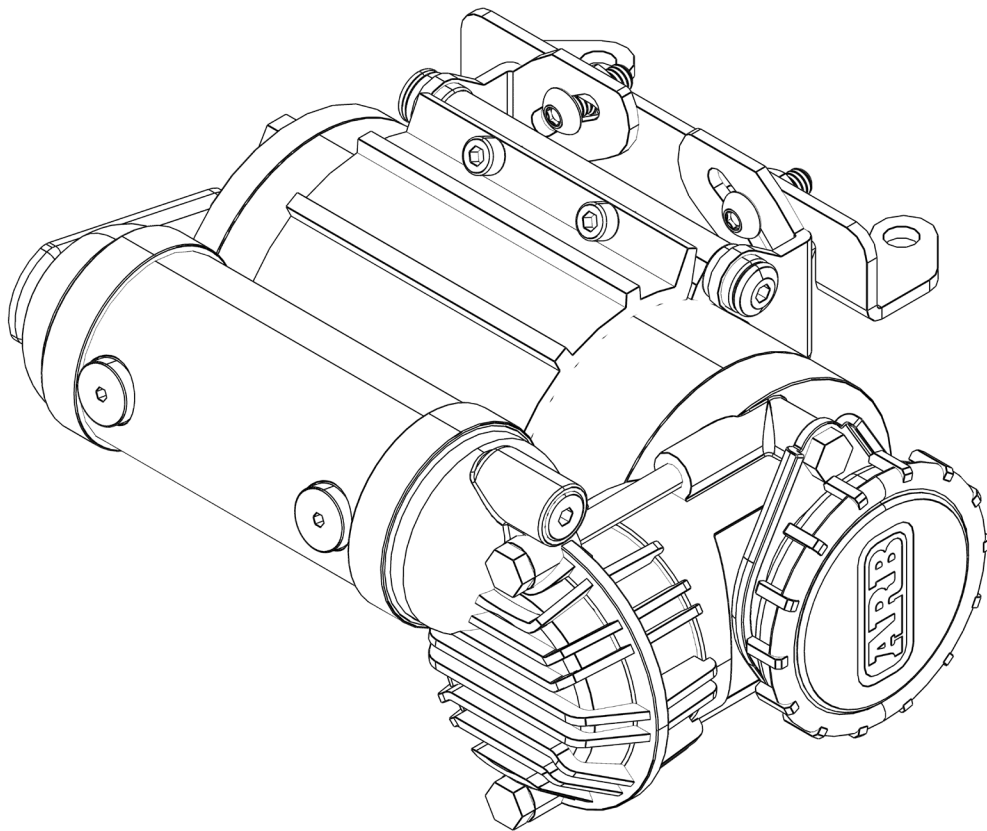




JEEP WRANGLER JL SINGLE AIR COMPRESSOR MOUNT

INSTALL INSTRUCTIONS



Please read the mounting instructions below carefully before attempting to install.

Check out the install video on the product page if available.

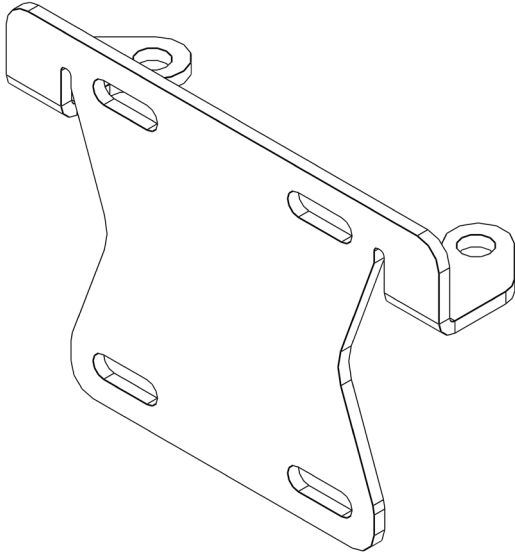
Thank you for purchasing from JcROffroad! Checkout our website, www.jcroffroad.com for other great off-road products. Be sure to rate and review our product online. If you have any questions or are missing parts, please don't hesitate to call us at 269-353-1184!

INCLUDED HARDWARE

N/A

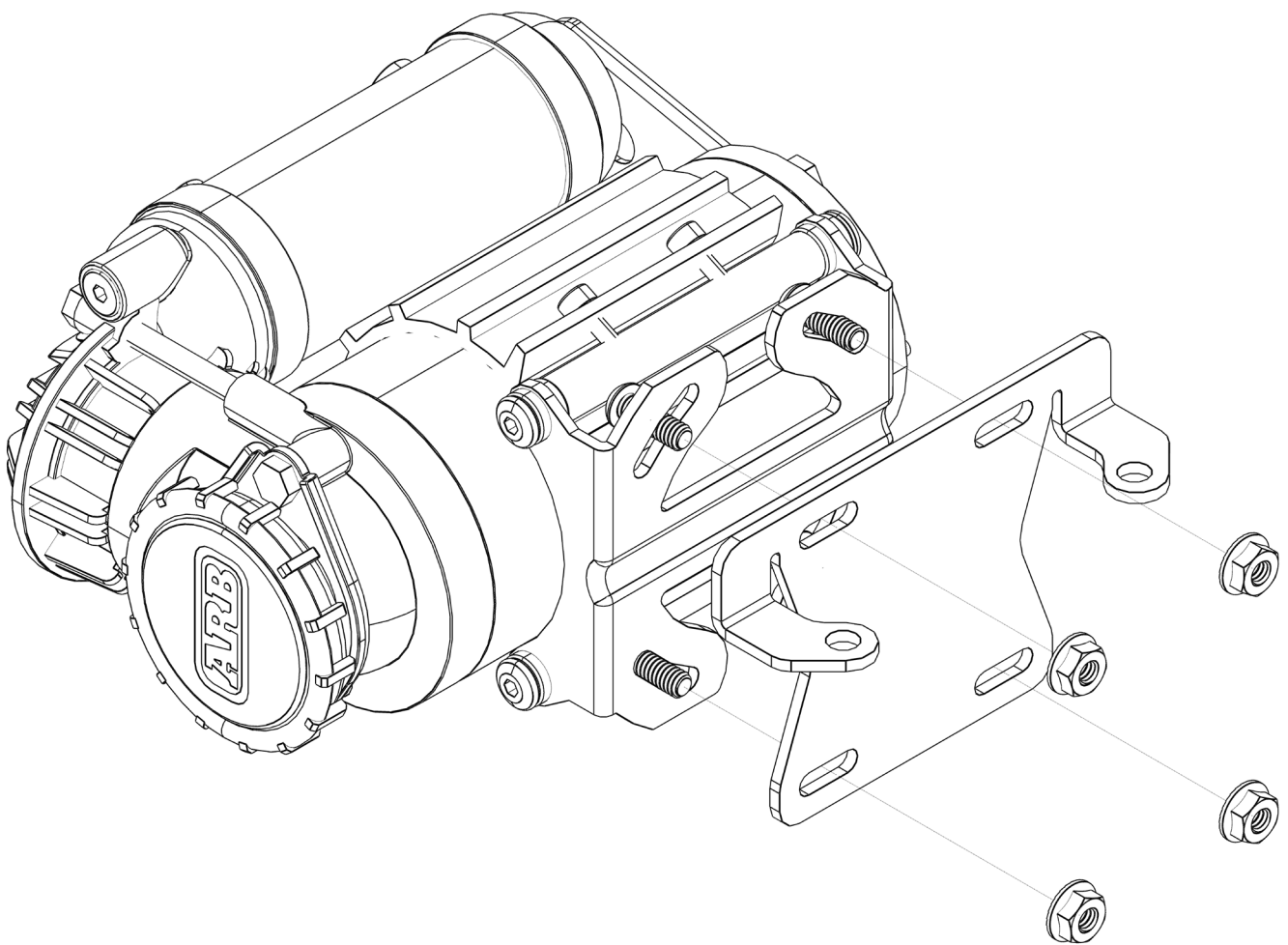
INCLUDED PARTS

1x



ASSEMBLY

1. Start with bolting your compressor mount to the provided bucket using (4) 1/4" nuts and bolts, as shown in the orientation below. You may need to reverse the orientation of your nuts and bolts as some compressors have different clearances to access the bolts from the inside to be able to tighten them.



ASSEMBLY

2. Once your compressor is bolted to the bracket, you then need to open your hood and remove the (2) factory nuts from the studs on the driverside corner of the engine bay, as shown below. Once the nuts are removed, place your bracket over top of them and then secure the bracket down with the nuts that were just removed.



ASSEMBLY

3. With the bracket now secure, you are finished with your install. You are now able to route and wire the compressor to your choosing to make it operable.

