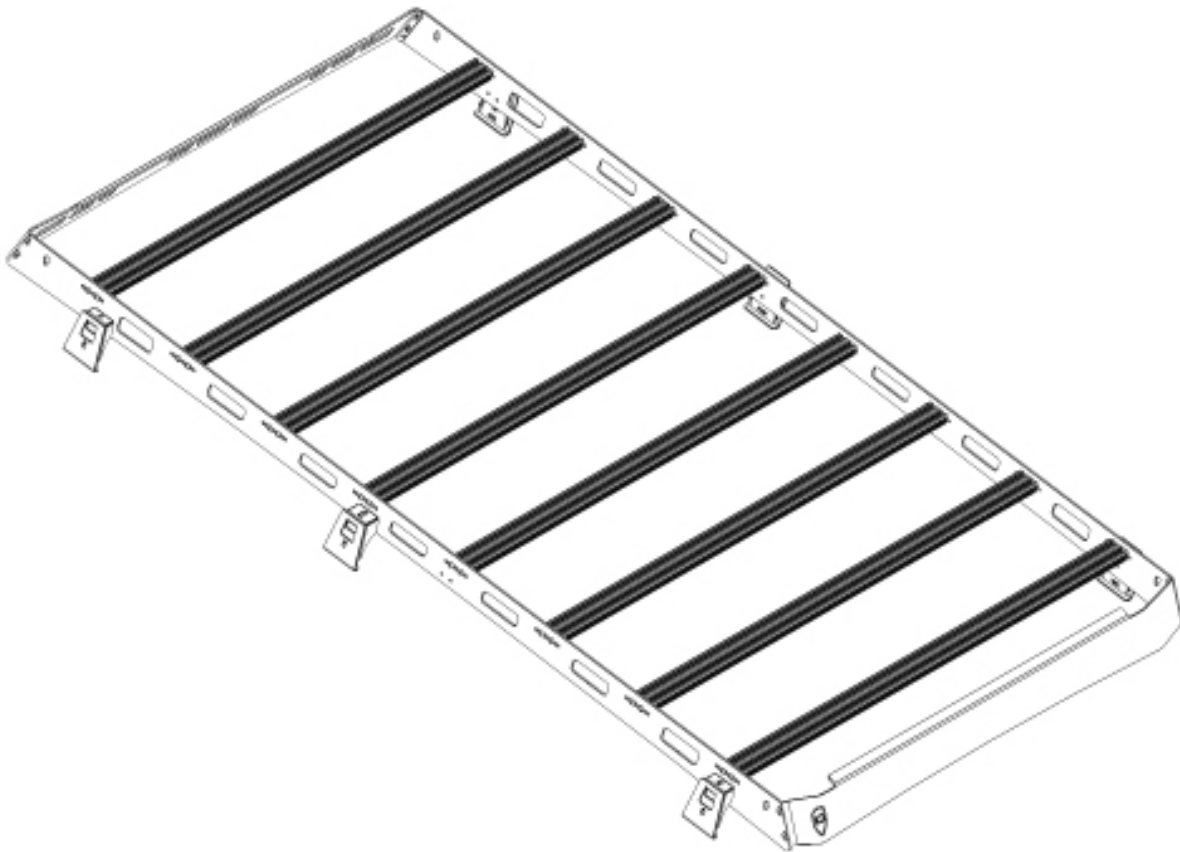




JL FULL ROOF RACK

INSTALL INSTRUCTIONS



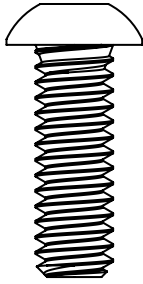
Please read the mounting instructions below carefully before attempting to install.

Check out the install video on the product page for factory rack disassembly.

Thank you for purchasing from JcROffroad! Checkout our website, www.jcroffroad.com for other great off-road products. Be sure to rate and review our product online. If you have any questions or are missing parts, please don't hesitate to call us at 269-353-1184!

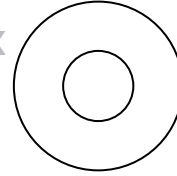
INCLUDED HARDWARE

52x



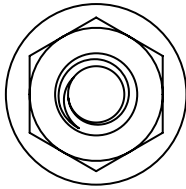
1/4"-20 X 3/4"
Button Head

12x



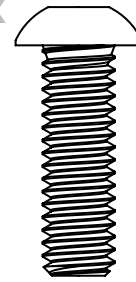
1/4"
USS Washer

20x



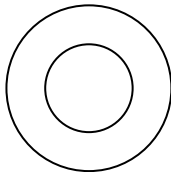
1/4"-20
Serr. Flange Nut

6x



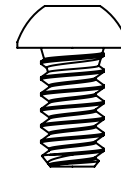
5/16"-18 X 1"
Button Head

52x



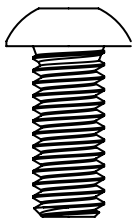
1/4" ID
Washer

4x



1/4"-20 X 3/8"
Button Head
Included with light
bar cutout option.

6x



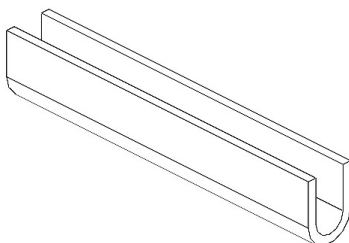
5/16"-18 X 3/4"
Button Head

4x



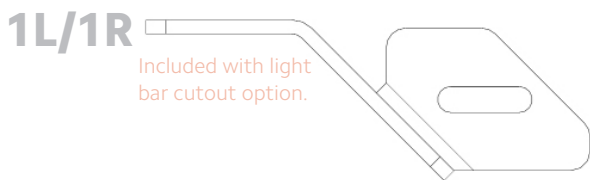
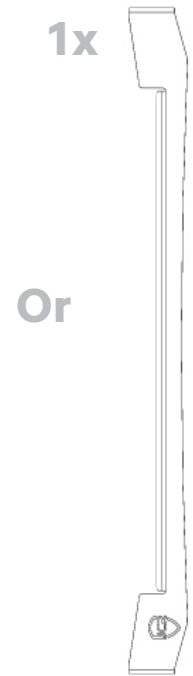
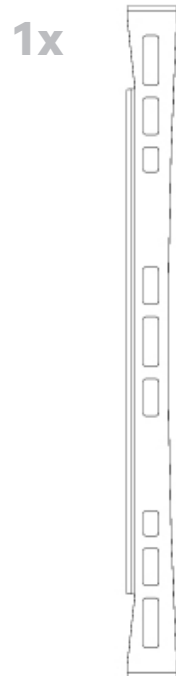
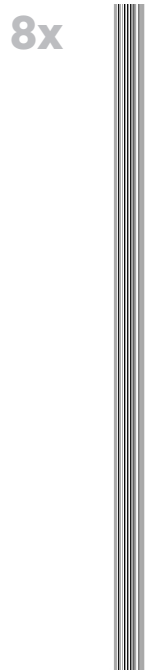
1/4"-20
T-Nut
Included with light
bar cutout option.

1x



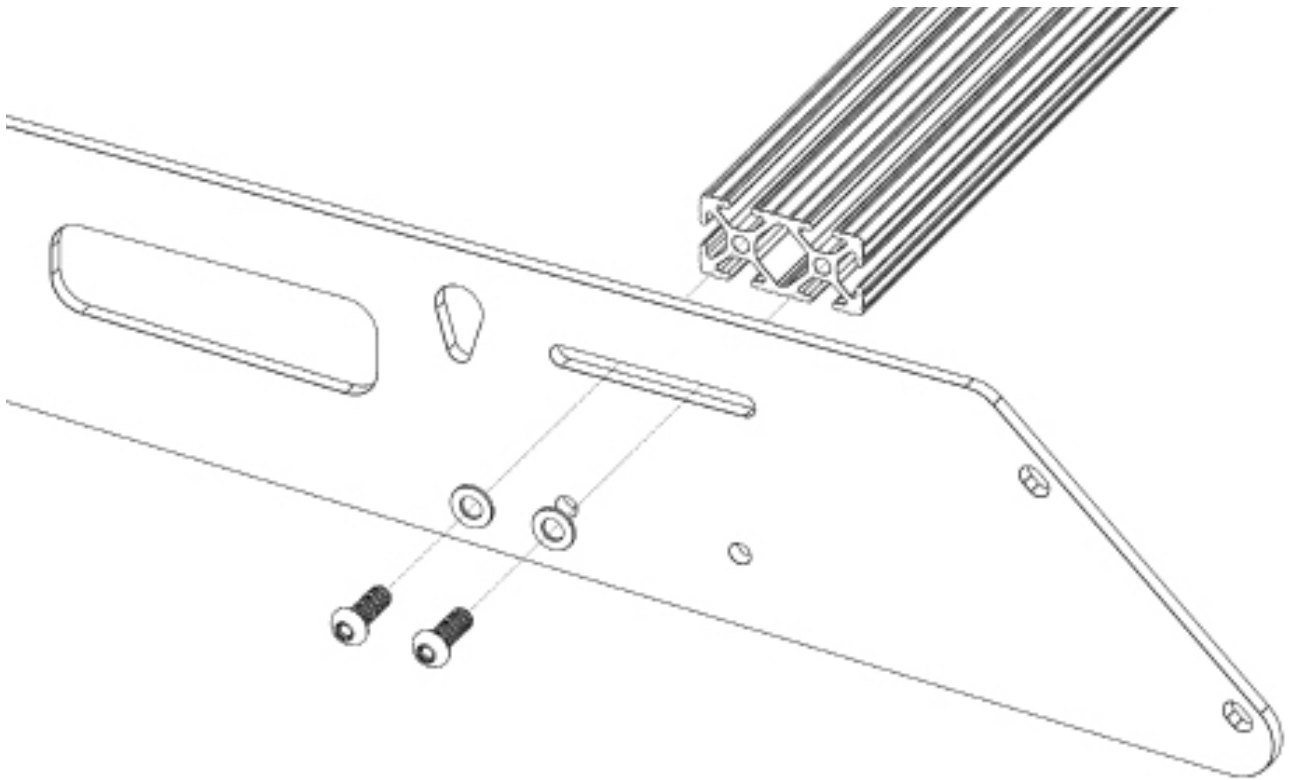
18" Piece of Small Edge Trim

INCLUDED PARTS



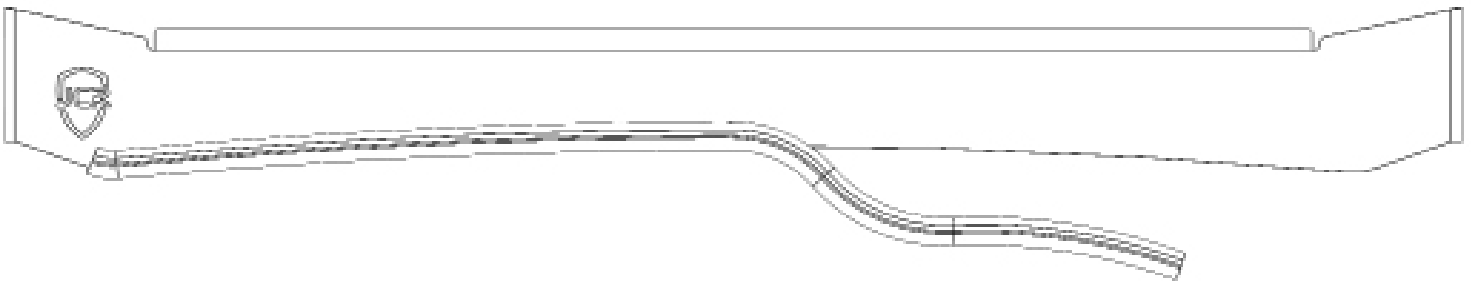
ASSEMBLY

- 1** Assemble the rack on the ground. Start by mounting the crossbars between the 2 side rails. For this, use the 1/4"-20 X 3/4" button head bolts and the 1/4" ID washers (2 per bar per side). Make sure the machined slot in the rail of the crossbar is facing up, so that you can easily add t-nuts to mount your gear.



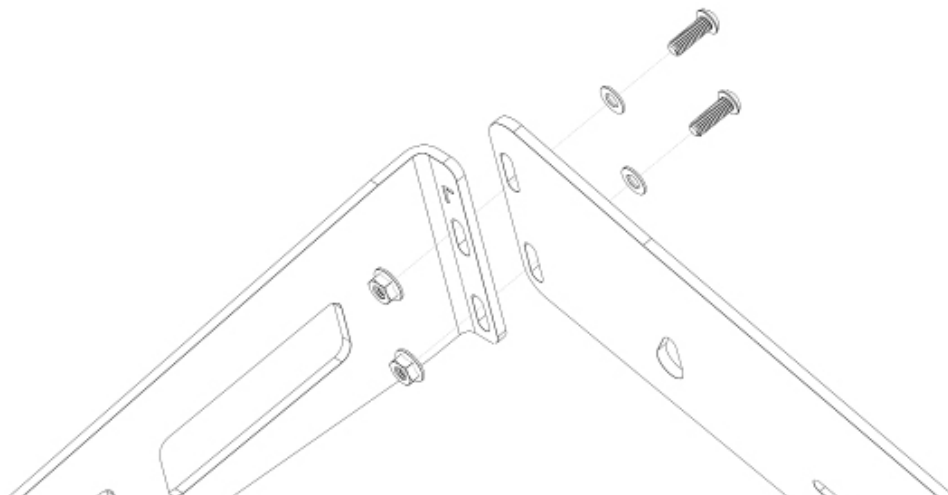
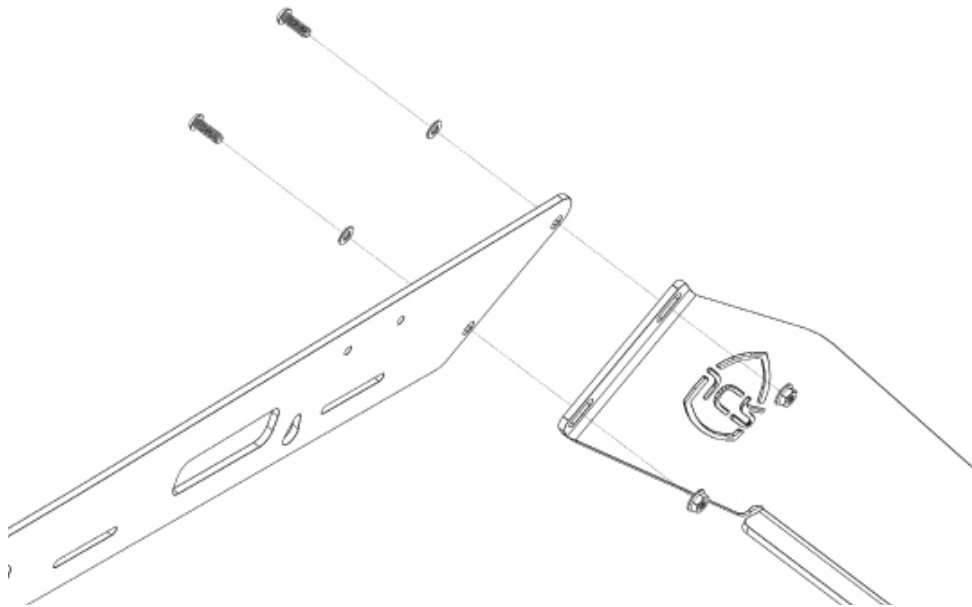
ASSEMBLY

- 2 Next, mount the strip of trim to the bottom edge of the front fairing. Start just to the outside of the peak of the bottom edge and continue until it reaches the equivalent point on the other side of the fairing. Cut off any extra. Then, cut the extra in half and mount the 2 pieces onto the bottom edge of the rear fairing wherever it contacts the roof of the vehicle.



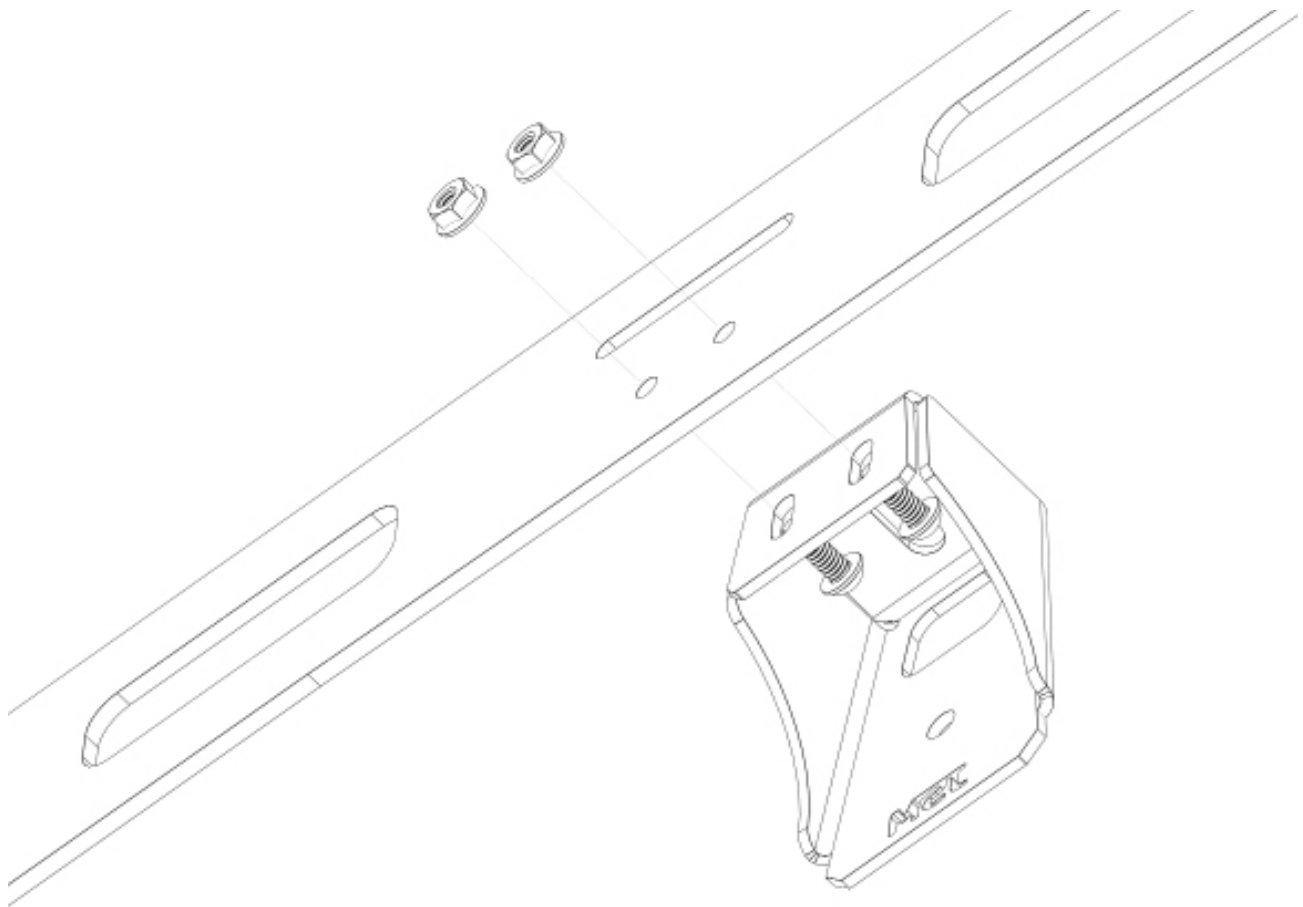
ASSEMBLY

- 3** Next, mount the front and rear fairings. To do this, use the 1/4"-20 X 3/4" button head bolts, 1/4" ID washers, and 1/4"-20 serrated flange nuts. The front fairing will need 2 of each per side and the rear fairing will also need 2 of each per side. When mounting the front fairing, adjust it all the way up to avoid contact with the roof and leave the bolts loose enough to be able to make adjustments once it is on the roof of the vehicle.



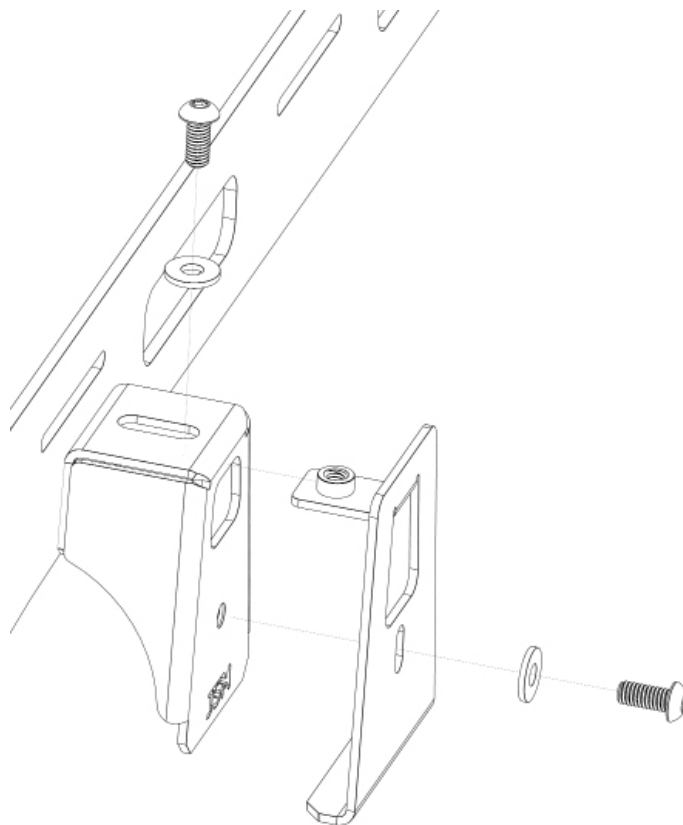
ASSEMBLY

- 4** Next, attach the inner mounts to the outside of the side rails using the 1/4"-20 X 3/4" button head bolts, 1/4" ID washers, and 1/4"-20 serrated flange nuts. Make sure to use the first, third and fourth sets of holes to attach your mounts. We recommend that you temporarily adjust the mount so the bolt is all the way up at the top of the slot. That way the rack is all the way up and it is easier to get it onto the roof. Tighten the bolts until they are snug, but adjustable. Now is the time to apply the provided smaller edge trim to the bottom edge of the (6) mounts that will be sitting in the gutter of your hardtop, these will need to be trimmed down to 3" in length for each bracket.



ASSEMBLY

- 5** Next, put the assembled rack onto your roof, making sure that the mounts are on the inside of the rain gutters. We recommend positioning it behind the Freedom Panels so the front fairing sits just short of the gap between the Freedom Panels and the rest of the roof.
- 6** Once the rack is in position, use the outer mounts to clamp the rack onto the roof. Put the long piece that extends out of the outer mount through the hole in the top of the inner mount. Then use the 5/16"-18 X 1" bolt and 1/4" USS washer to loosely bolt the 2 together through the top of the inner mount and use the 5/16"-18 X 3/4" bolt and 1/4" USS washer to loosely bolt them together through the side. We recommend using red thread locker on the side bolt so that the outer mount can't pull it out of place. Then go back and tighten the top bolt all the way. Once that is tight, tighten the side bolt all the way as well. Try to tighten all mounts equally to best secure the rack.

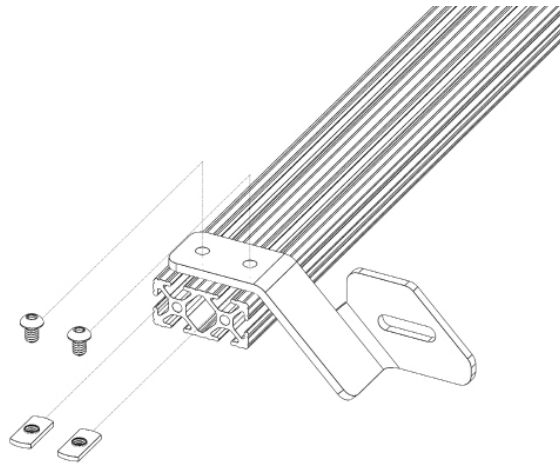


ASSEMBLY

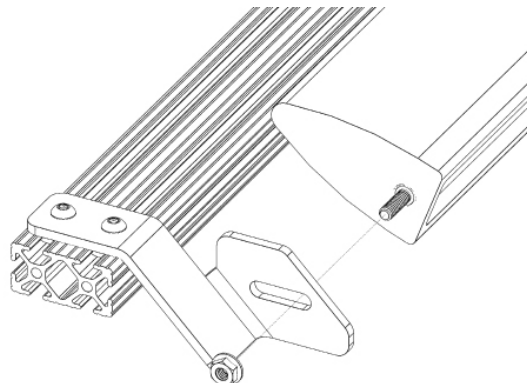
- 7** With everything roughly in place, make any adjustments to the mounts that are necessary to get an equal gap between the bottom of the side rails and the vehicle, down the length of the roof and tighten them fully against the side rails.
- 8** Finally, push the front and rear fairing down tight to the roof of the vehicle and tighten everything fully into place. We recommend applying clear 3M paint protection film to the roof of the vehicle anywhere the edge trim/ fairings make contact with the roof. This will protect the paint from dirt/ debris over time.

40" LIGHT BAR ASSEMBLY

- 1** Slide 2 t-nuts into each of the channels on the top side of the front-most crossbar using the slots. Then, place each light bar mount over one pair of t-nuts and loosely bolt it in place using the 1/4"-20 X 3/8" button heads.



- 2** Next, place your light bar between the mounts and mount it in the slots using the hardware provided with the light bar. After that is firmly in position, make any adjustments to the positioning necessary to center the light bar on the rack. Depending on the rack and light bar, you may need to adjust the position of the cross bar in its slot as well.



DIMENSIONS

