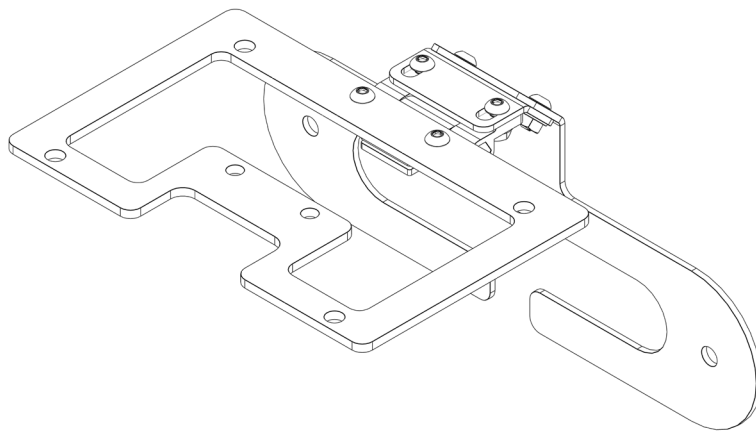




FAIRLEAD LICENSE PLATE FLIP

INSTALL INSTRUCTIONS



Please read the mounting instructions below carefully before attempting to install.

Thank you for purchasing from JcROffroad! Checkout our website, www.jcroffroad.com for other great off-road products. Be sure to rate and review our product online. If you have any questions or are missing parts, please don't hesitate to call us at 269-353-1184!

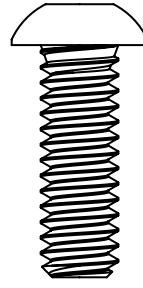
INCLUDED HARDWARE

4x



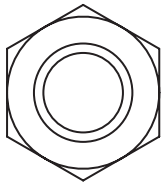
5/16"-18 x 3/4"
Button Head

6x



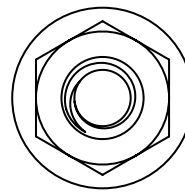
1/4"-20 x 3/4"
Button Head

4x



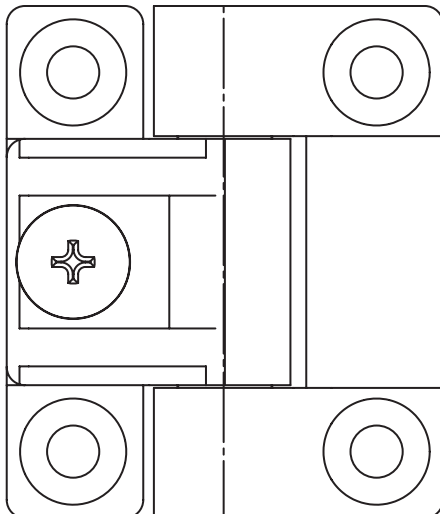
5/16"-18
Lock Nut

6x



1/4"-20
Serr. Flange Nut

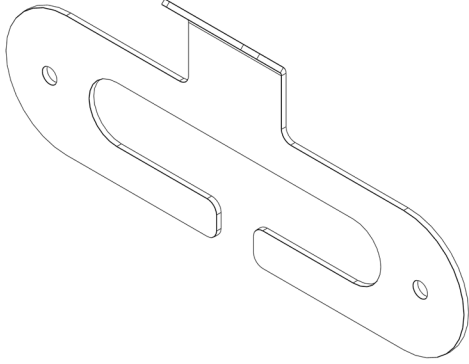
1x



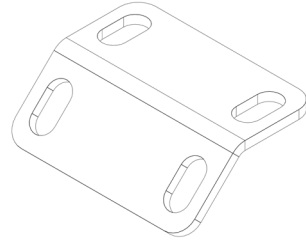
Adjustable
Hinge

INCLUDED PARTS

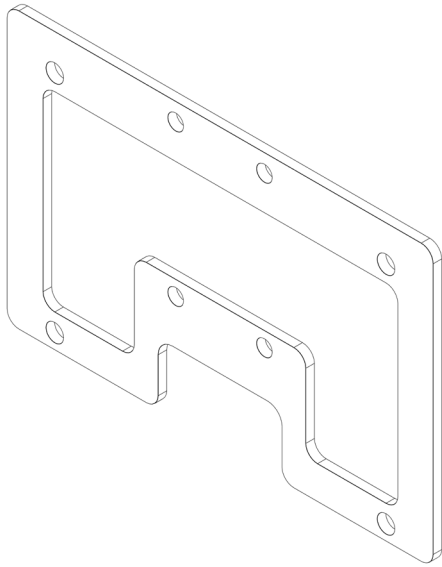
1x



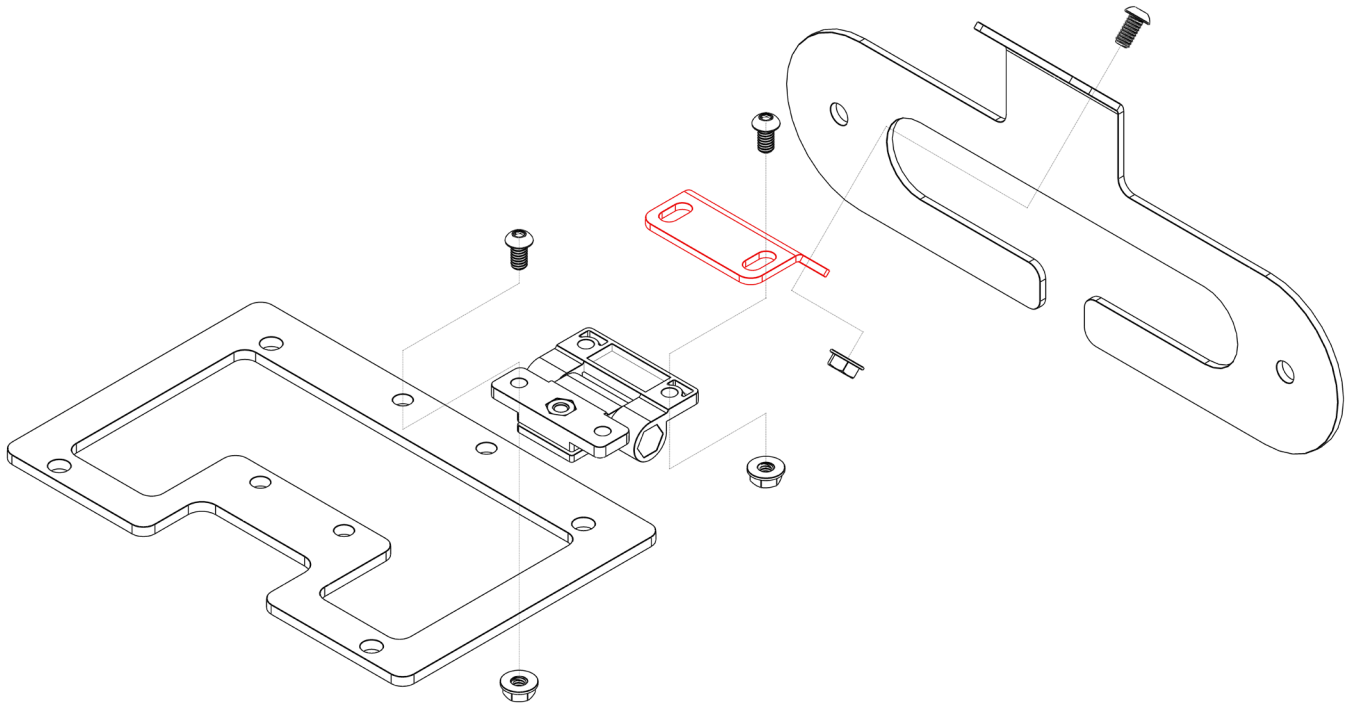
1x



1x



- 1 The bracket will bolt together as shown below. The small angled bracket highlighted in red will only be used on bumpers with completely vertical fairleads. If your bumper has an angled fairlead, the hinge will bolt directly to the fairlead-side bracket. The bracket will then slide over the winch line and bolt behind the fairlead. The hinge will use 5/16" bolts and lock nuts.



NOTE:

The license plate bracket can be flipped to mount the plate higher if needed.

The fairlead and angled brackets are slotted to allow for front to back adjustment of the license plate.

